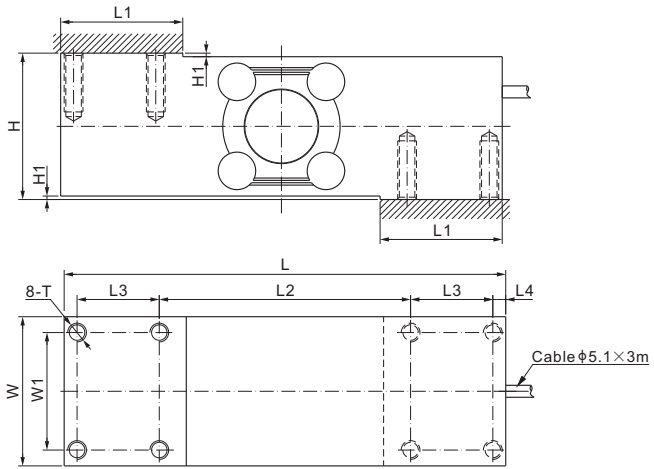


## 651KS55UN

### Stainless Steel



### DIMENSIONS

RATED CAPACITY	H	H1	L	L1	L2	L3	L4	W	W1	T
<b>kg/mm</b>										
200	62.3	1.5	188.0	52.0	107.0	35.0	5.5	63.5	50.0	5/16-18 UNC-2B Depth 20
<b>lb/inches</b> (conversion of above dimensions)										
440.92	2.45	0.06	7.40	2.04	4.21	1.38	0.22	2.50	1.97	5/16-18 UNC-2B Depth 0.79

### SPECIFICATIONS

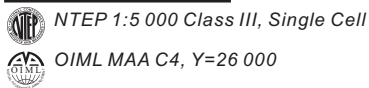
<b>Full Scale Output</b>	2.0 mV/V ± 0.25%	<b>Recommended Excitation</b>	10V (15V Maximum)
<b>Zero Balance</b>	± 0.02 mV/V	<b>Reference Max. Platform Size</b>	610×700 mm
<b>Non-linearity</b>	< ± 0.03%	<b>Insulation Resistance</b>	>2 [ 50V DC ] GΩ
<b>Repeatability</b>	< ± 0.02%	<b>Compensated Temperature Range</b>	-10°C to 50°C / 14°F to 122°F
<b>Hysteresis Error</b>	< ± 0.03%	<b>Safe Overload</b>	150% of full scale
<b>Creep in 30 min.</b>	< ± 0.02%	<b>Breaking Overload</b>	300% of full scale
<b>Input Resistance</b>	1100Ω ± 50	<b>Seal Type / IP Rating</b>	Welded Seal / IP68
<b>Output Resistance</b>	960Ω ± 50	<b>Cable Color Code</b>	Exc+ Red    Exc- Black Sig+ Green    Sig- White    Shield Bare
<b>Element Material</b>	17-4PH Stainless Steel		

### PART NUMBER

Rated Capacity	Part No.	Shipping Weight (kg) Approx.
200kg.....	651KS55UN-200kg.....	4.7

### AVAILABLE OPTION

■ aluminum version: 108MAUN



### INTERCHANGEABLE PRODUCTS

Manufacturer	Model
Coti Global.....	CG-50-1*
HBM.....	PW16*
Rice Lake.....	RL1260*
Vishay Tedeo-Huntleigh.....	1260*

\*Coti CG-50-1, HBM PW16, Rice Lake RL1260, Vishay Tedeo-Huntleigh 1260 are of aluminum.

SINGLE POINTS