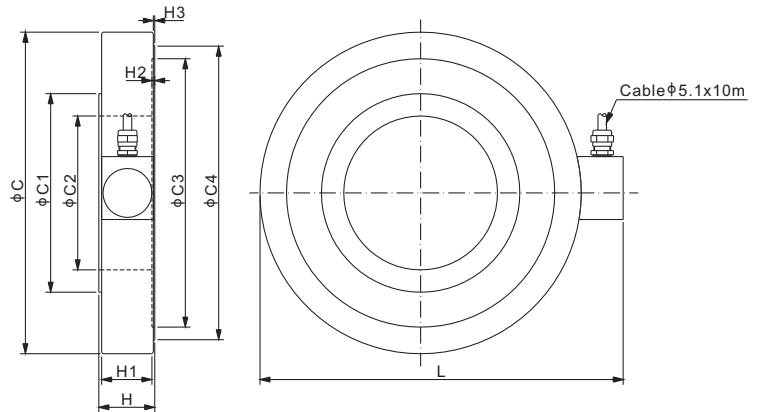


# 363HHAN



Alloy Steel



CE RoHS

### DIMENSIONS

| RATED CAPACITY                                     | C    | C1   | C2   | C3   | C4   | H    | H1   | H2   | H3   | L     |
|--|------|------|------|------|------|------|------|------|------|-------|
| t/mm   |      |      |      |      |      |      |      |      |      |       |
| 60   | 230  | 142  | 110  | 192  | 210  | 40.0 | 38.0 | 2.0  | 1.0  | 260   |
| <b>Klb/inches</b> (conversion of above dimensions) |      |      |      |      |      |      |      |      |      |       |
| 132.28   | 9.06 | 5.59 | 4.33 | 7.56 | 8.27 | 1.58 | 1.50 | 0.08 | 0.04 | 10.24 |

### SPECIFICATIONS

|                   |                  |                               |                               |
|-------------------|------------------|-------------------------------|-------------------------------|
| Full Scale Output | 2.0 mV/V ± 0.25% | Recommended Excitation        | 10V (15V Maximum)             |
| Zero Balance      | ± 0.02 mV/V      | Insulation Resistance         | >2 [ 50V DC ] GΩ              |
| Non-linearity     | < ± 0.8%         | Compensated Temperature Range | -10°C to 50°C / 14°F to 122°F |
| Repeatability     | < ± 0.03%        | Safe Overload                 | 150% of full scale            |
| Hysteresis Error  | < ± 0.9%         | Breaking Overload             | 300% of full scale            |
| Creep in 30 min.  | < ± 0.1%         | Seal Type / IP Rating         | Welded Seal / IP67            |
| Input Resistance  | 770 Ω ± 30       | Cable Color Code              | Exc+ Red      Exc- Black      |
| Output Resistance | 700 Ω ± 5        |                               | Sig+ Green    Sig- White      |
| Element Material  | Alloy Steel      |                               | Shield Bare                   |

### PART NUMBER

| Rated Capacity | Part No.         | Shipping Weight (kg) Approx. |
|----------------|------------------|------------------------------|
| 60t.....       | 363HHAN-60t..... | 9.6                          |

### AVAILABLE OPTION

- Stainless steel element: 363HSAN