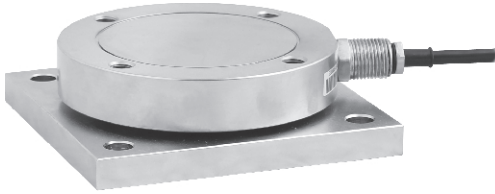
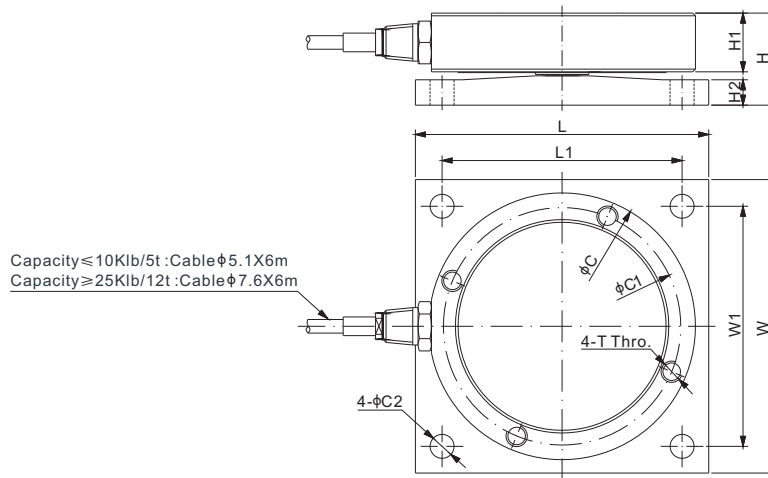


## Stainless Steel, Patent Pending



### Features:

- Unique design with super thin profile, suitable for tank & hopper weighing or other weighing application
- Hermetic sealed stainless steel construction
- Antibacterial design good for food & chemical industrial
- Allowed for thermal expansion, contraction or minor misalignment
- Withstand side load & lift at 50% of full scale
- Max. 3 degree on parallel loading



### DIMENSIONS

RATED CAPACITY	C	C1	C2	H	H1	H2	L	L1	W	W1	T
<b>Klb/inches</b>											
1-2.5	3.94	3.50	0.35	1.02	0.65	0.26	4.33	3.54	4.33	3.54	5/16-18 UNC-2B
5-10	4.72	4.25	0.35	1.40	0.93	0.33	5.12	4.33	5.12	4.33	3/8-16 UNC-2B
25-50	5.75	4.96	0.53	2.09	1.38	0.55	6.22	4.92	6.22	4.92	1/2-20 UNF-2B
100	8.43	7.05	0.83	3.07	1.97	0.83	9.84	8.11	9.84	8.11	3/4-16 UNF-2B
200	9.84	8.15	1.06	3.82	2.32	1.14	11.22	8.86	11.22	8.86	1-14 UNS-2B
<b>t/mm</b>											
0.5-1.2	100.0	89.0	9.0	26.0	16.5	6.5	110.0	90.0	110.0	90.0	M8×1.25
2.5-5	120.0	108.0	9.0	35.5	23.5	8.5	130.0	110.0	130.0	110.0	M10×1.5
12-25	146.0	126.0	13.5	53.0	35.0	14.0	158.0	125.0	158.0	125.0	M12×1.75
50	214.0	179.0	21.0	78.0	50.0	21.0	250.0	206.0	250.0	206.0	M18X2.5
100	250.0	207.0	27.0	97.0	59.0	29.0	285.0	225.0	285.0	225.0	M24X3

SPECIFICATIONS			
Full Scale Output	3.0 mV/V ± 0.25%	Recommended Excitation	10V (15V Maximum)
Zero Balance	< ± 0.02 mV/V	Insulation Resistance	> 2 [ 50V DC ] GΩ
Non-linearity	Cap. ≤ 1.2t/2.5Klb: < ± 0.05%; Cap.: 2.5t-12t/5K-25Klb: < ± 0.1% or < ± 0.3% Cap. ≥ 25t/50Klb: < ± 0.3%	Thermal Expansion /	500kg - 5t / 1K - 10Klb: 2mm
		Contraction or Minor Misalignment	12t - 100t / 25Klb - 50t: 3mm
		Compensated Temperature Range	-10°C to 50°C / 14°F to 122°F
Repeatability	< ± 0.05%	Safe Overload	150% of full scale
Hysteresis Error	Cap. ≤ 1.2t/2.5Klb: < ± 0.05%; Cap.: 2.5t-12t/5K-25Klb: < ± 0.1% or < ± 0.3% Cap. ≥ 25t/50Klb: < ± 0.3%	Breaking Overload	300% of full scale
		Lift Protection	50% of full scale
		Side Protection	50% of full scale
Creep in 30 min.	< ± 0.05%	Seal Type / IP Rating	IP68 / IP69K
Input Resistance	700Ω ± 10	Cable Color Code	Exc+ Red Exc- Black
Output Resistance	700Ω ± 5		Sig+ Green Sig- White
Element Material	17-4PH Stainless Steel		Shield Bare

PART NUMBER		
Rated Capacity	Part No.	Shipping Weight (kg) Approx.
1Klb.....	363TSM1-1Klb	-
2.5Klb.....	363TSM1-2.5Klb	2.0
5Klb.....	363TSM1-5Klb	2.7
10Klb.....	363TSM1-10Klb	2.7
25Klb.....	363TSM1-25Klb	6.5
50Klb.....	363TSM1-50Klb	-
100Klb.....	363TSM1-100Klb	-
200Klb.....	363TSM1-200Klb	-

PART NUMBER		
Rated Capacity	Part No.	Shipping Weight (kg) Approx.
500kg.....	363TSM1-500kg	-
1.2t.....	363TSM1-1.2t	2.0
2.5t.....	363TSM1-2.5t	2.7
5t.....	363TSM1-5t	2.7
12t.....	363TSM1-12t	6.5
25t.....	363TSM1-25t	-
50t.....	363TSM1-50t	-
100t.....	363TSM1-100t	-

### AVAILABLE OPTIONS

- Alloy Steel: 363THM1