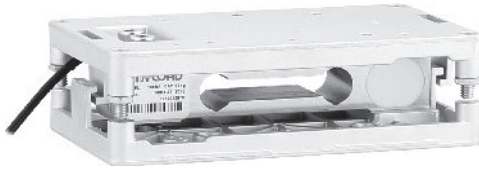


Aluminum, Compression Test Mount



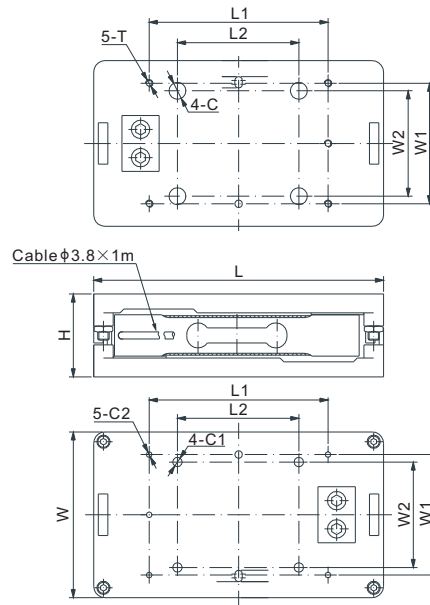
Features:

- For indicators, remote displays, printers, computers, PLC, etc.
- Aluminum single point load cell with a aluminum mount
- Capacities: 6kg, 20kg (other capacities available upon request)
- CE, RoHS, Ex, OIML MAA, NTEP approved for load cells
- Four points overloading protection and anti-lifting protection

Load Cell Certifications:



Load cell included.



DIMENSIONS

RATED CAPACITY	C	C1	C2	H	L	L1	L2	W	W1	W2	T
kg/mm											
3-30	9.0	5.0	3.0	44.0	154.0	95.0	64.5	88.0	64.0	56.0	M4 Depth8.0
lb/inches (conversion of above dimensions)											
6.61-66.14	0.35	0.20	0.12	1.73	6.06	3.74	2.54	3.46	2.52	2.20	M4 Depth0.31

PART NUMBER

Rated Capacity	Part No.	Weight (kg) Approx.
6kg.....	TMA-108BA-6kg.....	0.8
20kg.....	TMA-108BA-20kg.....	0.8

AVAILABLE OPTIONS

- Capacity of 3kg, 7kg, 10kg, 15kg and 30kg available (produced upon request)
- 6 wire cable available