

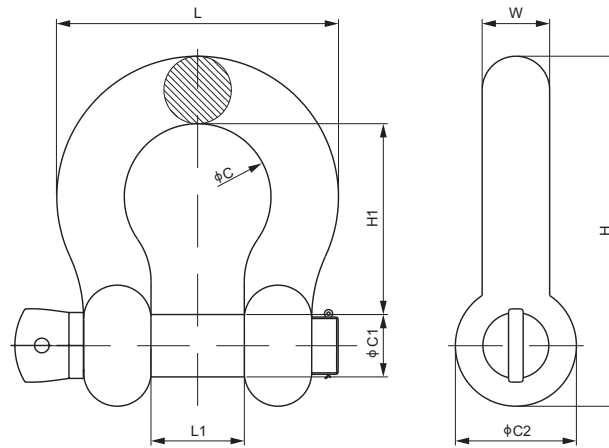
Shackle, Stainless Steel

SHACKLES, EYEBOLTS, ROD END



Features:

- Work capacity: 1.5t; 5t
- Test load: 200% rated capacity
- Breaking load: 400% rated capacity
- Made of SS 304 corrosion resistant material
- High tensile shackle, product meets ISO2415-2004



DIMENSIONS

PART NUMBER	C	C1	C2	H	H1	L	L1	W	Safe Working Load	Shipping Weight
<b>mm</b>										
RBXS-1.5t	42	12	22	77	48	66	24	12	1.5t	0.22kg
RBXS-5t	43	20	40	108.5	60.5	79	27	18	5t	0.75kg
<b>inches</b> (conversion of above dimensions)										
RBXS-1.5t	1.65	0.47	0.87	3.03	1.89	2.60	0.94	0.47	3.31Klb	0.49lb
RBXS-5t	1.69	0.79	1.57	4.27	2.38	3.11	1.06	0.71	11.02Klb	1.65lb