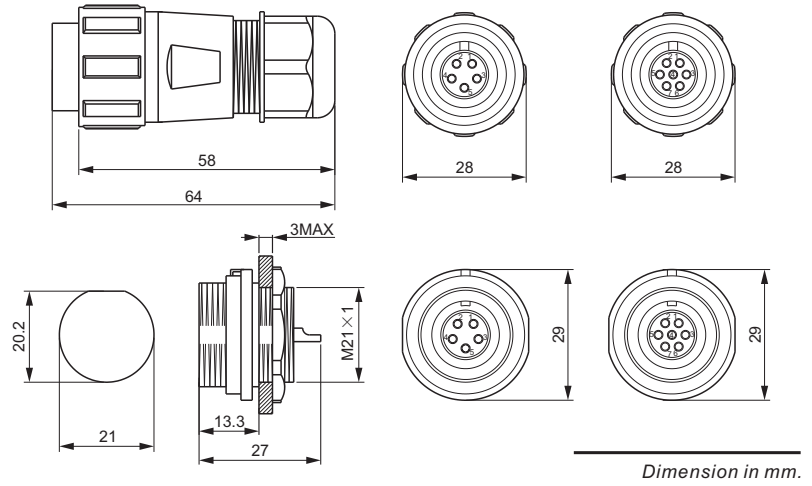


Cable Connector



Dimension in mm.

CABLE, CONNECTOR & ACCESSORIES

SPECIFICATIONS			
Part Number	CCS5-S	CCS5-L	CCS7-L
Rated Current	30A		15A
Contact Diameter	φ3mm×5		φ2mm×7
Contact Resistance	1mΩ		2.5mΩ
Wire Size mm <sup>2</sup> / AWG	≤ 4.17/11		≤ 2/14
Termination	Screw	Screw	Solder
Cable Outer Diameter	φ4.5-7mm	φ7-12mm	
Shell Material	PC, Nylon66, fire resistance: V-0		
Insert Material	PPS, max temperature 260°C		
Contact Material	Brass with gold plating		
Rated Voltage (AC)	500V		
Test Voltage/min (AC)	1500V		
Mating Cycle	> 500		
Insulation Resistance	2000MΩ		
Working Temperature	-40°C to 85°C / -40°F to 185°F		
Protection Class	IP68		

PART NUMBER			
Part No.	Contacts	Termination	Shipping Weight (kg) Approx.
CCS5-S.....	5.....	Screw.....	0.05
CCS5-L.....	5.....	Screw.....	0.05
CCS7-L.....	7.....	Solder.....	0.05