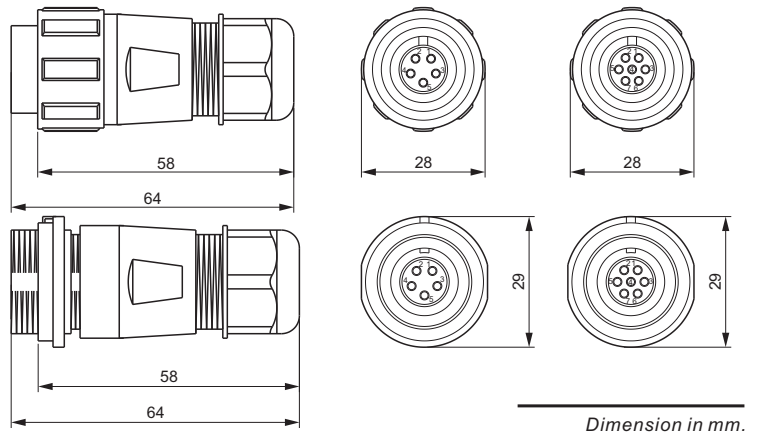


Cable Connector



SPECIFICATIONS

| Part Number | CCP5-S | CCP5-S1 | CCP5-L | CCP5-L1 | CCP7-L |
|---------------------------------|-----------------------------------|---------|---------|---------|--------|
| Rated Current | 30A | | | | 15A |
| Contact Diameter | φ3mm×5 | | | | φ2mm×7 |
| Contact Resistance | 1mΩ | | | | 2.5mΩ |
| Wire Size mm ² / AWG | ≤ 4.17/11 | | | | ≤ 2/14 |
| Termination | Screw | Solder | Screw | Solder | Solder |
| Cable Outer Diameter | φ4.5-7mm | | φ7-12mm | | |
| Shell Material | PC, Nylon66, fire resistance: V-0 | | | | |
| Insert Material | PPS, max temperature 260°C | | | | |
| Contact Material | Brass with gold plating | | | | |
| Rated Voltage (AC) | 500V | | | | |
| Test Voltage/min (AC) | 1500V | | | | |
| Mating Cycle | > 500 | | | | |
| Insulation Resistance | 2000MΩ | | | | |
| Working Temperature | -40°C to 85°C / -40°F to 185°F | | | | |
| Protection Class | IP68 | | | | |

PART NUMBER

| Part No. | Contacts | Termination | Shipping Weight (kg) Approx. |
|--------------|----------|-------------|------------------------------|
| CCP5-S..... | 5..... | screw..... | 0.06 |
| CCP5-S1..... | 5..... | solder..... | 0.06 |
| CCP5-L..... | 5..... | screw..... | 0.06 |
| CCP5-L1..... | 5..... | solder..... | 0.06 |
| CCP7-L..... | 7..... | solder..... | 0.06 |