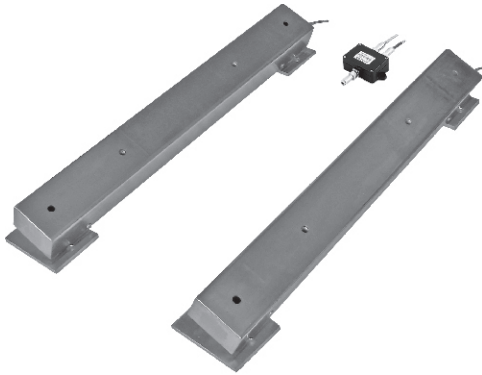


Load Bar, Alloy Steel



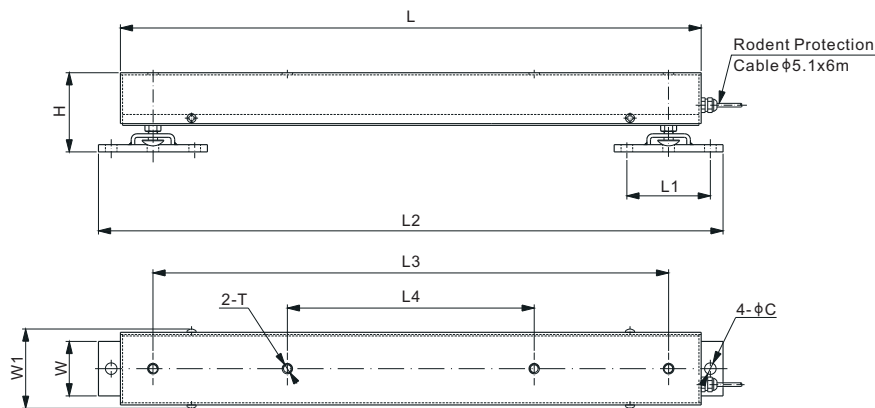
**Complete Set Includes:**

**One set of loadbar consists of:**

- 2 pieces of loadbars
- A separate junction box J02EP-1-17 equipped with two male connectors for connecting the two loadbars

**Each loadbar consists of the followings:**

- 2 units 563YH-2.5Klb load cells
- One junction box J02EP-17 built inside the loadbar
- 6m rodent protection cable with a female connector for connecting to the separate junction box J02EP-1-17
- Two units special made active mounting feet



**DIMENSIONS**

MODEL NAME	RATED CAPACITY (a set of two load bars)	H	L	L1	L2	L3	L4	W	W1	C	T
LB100	<b>lb/inches</b>										
	500-4,000 (1K-10K)	4.17-4.57	31.50	4.53	33.86	27.95	13.39	2.95	4.33	0.63	1/2-20 Depth0.87
	<b>kg/mm</b>										
	100-2,000 (200-4,000)	106.0-116.0	800.0	115.0	860.0	710.0	340.0	75.0	110	16.0	1/2-20 Depth22

**PART NUMBER**

Load Cell Capacity	Part No.	Shipping Weight (kg) Approx.
2.5Klb.....	LB100-5Klb.....	35.7

SCALE PLATFORMS & HARDWARE