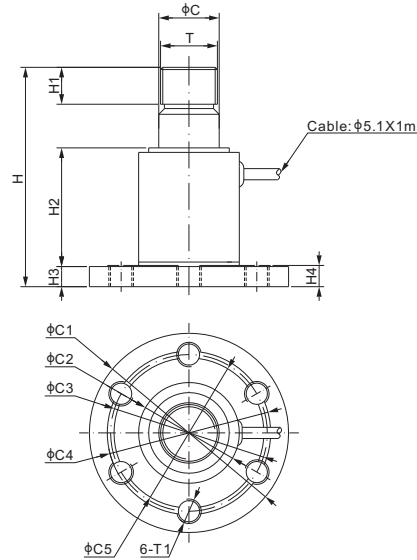


## 563FSAS

### Stainless Steel



SINGLE ENDED BEAMS

CE RoHS

### DIMENSIONS

RATED CAPACITY	C	C1	C2	C3	C4	C5	H	H1	H2	H3	H4	T	T1
<b>Klb/inches</b>													
2.5	1.06	3.50	1.77	2.76	2.64	2.87	3.86	0.65	2.09	0.35	0.37	1-14 UNS-2A	7/16-14 UNC-2B
<b>kg/mm</b> (conversion of above dimensions)													
1,134	27.0	89.0	45.0	70.0	67.0	73.0	98.0	16.5	53.0	9.0	9.5	1-14 UNS-2A	7/16-14 UNC-2B

### SPECIFICATIONS

<b>Full Scale Output</b>	0.4 mV/V ± 0.25%	<b>Recommended Excitation</b>	10V (15V Maximum)
<b>Zero Balance</b>	± 0.02 mV/V	<b>Insulation Resistance</b>	>2 [ 50V DC ] GΩ
<b>Non-linearity</b>	< ± 0.017%	<b>Compensated Temperature Range</b>	-10°C to 50°C / 14°F to 122°F
<b>Repeatability</b>	< ± 0.017%	<b>Safe Overload</b>	200% of full scale
<b>Hysteresis Error</b>	< ± 0.017%	<b>Breaking Overload</b>	500% of full scale
<b>Creep in 30 min.</b>	< ± 0.023%	<b>Seal Type / IP Rating</b>	Environmentally Sealed / IP66
<b>Input Resistance</b>	1100Ω ± 50	<b>Cable Color Code</b>	Exc+ Red      Exc- Black
<b>Output Resistance</b>	1000Ω ± 10		Sig+ Green    Sig- White
<b>Element Material</b>	2Cr13 Stainless Steel		Shield Bare

### PART NUMBER

Rated Capacity	Part No.	Shipping Weight (kg) Approx.
2.5Klb.....	563FSAS-2.5Klb-YZ.....	1.1

### APPLICATION EXAMPLES

