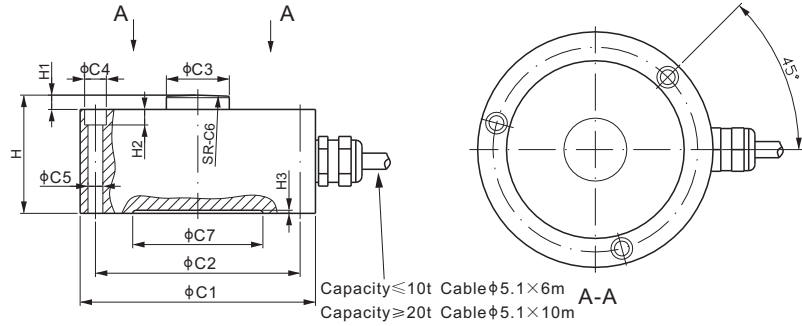


# 276EH



## Alloy Steel, Patent Design



CE RoHS

Mounting hardware included.

### DIMENSIONS

RATED CAPACITY	C1	C2	C3	C4	C5	C6	C7	H	H1	H2	H3
<b>t/mm</b>											
5	60.0	52.0	9.5	6.0	3.2	30.0	42.0	24.0	4.0	3.0	0.8
10	63.6	55.0	13.5	7.2	4.2	100.0	44.0	26.0	4.0	5.0	0.8
25	75.9	66.0	20.3	7.0	4.8	150.0	54.0	38.1	4.6	5.0	1.0
50	105.0	90.0	30.0	11.0	6.5	250.0	76.0	53.0	7.0	7.0	1.0
100	123.0	98.0	43.0	15.0	10.5	380.0	74.0	95.0	15.0	12.0	1.0
<b>lb/inches</b> (conversion of above dimensions)											
11,023.1	2.36	2.05	0.37	0.24	0.13	1.18	1.65	0.94	0.16	0.11	0.03
22,046.2	2.50	2.17	0.53	0.28	0.17	3.94	1.73	1.02	0.16	0.20	0.03
55,115.6	2.99	2.60	0.80	0.28	0.19	5.91	2.13	1.50	0.18	0.20	0.04
110,231.1	4.13	3.54	1.18	0.43	0.28	9.84	2.99	2.09	0.28	0.28	0.04
220,462.3	4.84	3.86	1.69	0.59	0.41	14.96	2.92	3.74	0.59	0.47	0.04

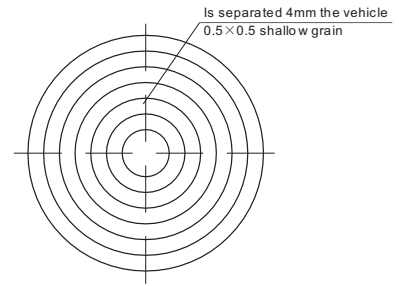
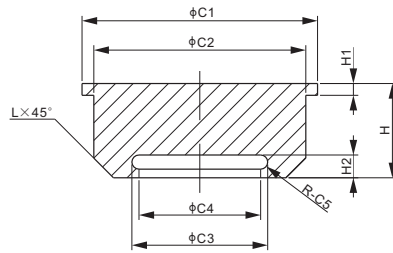
SPECIFICATIONS			
Full Scale Output	2.5 mV/V ± 10%	Recommended Excitation	10V (15V Maximum)
Zero Balance	± 0.02 mV/V	Insulation Resistance	>2 [ 50V DC ] GΩ
Non-linearity	Cap. ≤ 50t: < ± 0.32%; Cap. ≥ 100t: < ± 1%	Compensated Temperature Range	-10°C to 50°C / 14°F to 122°F
Repeatability	Cap. ≤ 50t: < ± 0.050%; Cap. ≥ 100t: < ± 0.2%	Safe Overload	150% of full scale
Hysteresis Error	Cap. ≤ 50t: < ± 0.32%; Cap. ≥ 100t: < ± 2%	Breaking Overload	300% of full scale
Creep in 30 min.	Cap. ≤ 50t: < ± 0.10%; Cap. ≥ 100t: < ± 0.1%	Seal Type / IP Rating	Environmentally Sealed / IP67
Input Resistance	400Ω ± 20	Cable Color Code	Exc+ Red      Exc- Black
Output Resistance	350Ω ± 3		Sig+ Green    Sig- White
Element Material	Alloy Steel, Nickel Plated		Shield Bare

PART NUMBER		
Rated Capacity	Part No.	Shipping Weight (kg) Approx.
5t.....	276EH-5t.....	0.6
10t.....	276EH-10t.....	0.9
25t.....	276EH-25t.....	1.8
50t.....	276EH-50t.....	4.2
100t.....	276EH-100t-LA.....	8.7

WEIGH MODULE	
Model	Page
276EHM1.....	136

CANISTERS & DISKS

## Mounting Hardware For 276EH Load Cell F266-1, Alloy Steel



### DIMENSIONS

PART NUMBER	LOAD CELL CAPACITY	C1	C2	C3	C4	C5	H	H1	H2	L
	<b>t/mm</b>									
F266-1A	5	33.0	27.0	12.0	10.0	1.0	13.0	3.0	2.9	3.0
F266-1B	10	41.0	35.0	15.8	13.8	1.0	16.0	3.0	2.9	4.0
F266-1C	25	49.0	43.0	23.3	20.5	1.4	19.0	3.0	3.9	5.0
F266-1E	50	72.0	66.0	34.6	31.0	1.8	36.0	3.0	5.7	5.0
F266-1F	100	80.0	74.0	54.0	44.0	5.0	50.0	3.0	12.4	7.0
	<b>lb/inches</b> (conversion of above dimensions)									
F266-1A	11,023.1	1.30	1.06	0.47	0.39	0.04	0.51	0.12	0.11	0.12
F266-1B	22,046.2	1.61	1.38	0.62	0.54	0.04	0.63	0.12	0.11	0.16
F266-1C	55,115.6	1.93	1.69	0.92	0.81	0.06	0.75	0.12	0.15	0.20
F266-1E	110,231.1	2.83	2.60	1.36	1.22	0.07	1.42	0.12	0.22	0.20
F266-1F	220,462.3	3.15	2.91	2.13	1.73	0.20	1.97	0.12	0.49	0.28