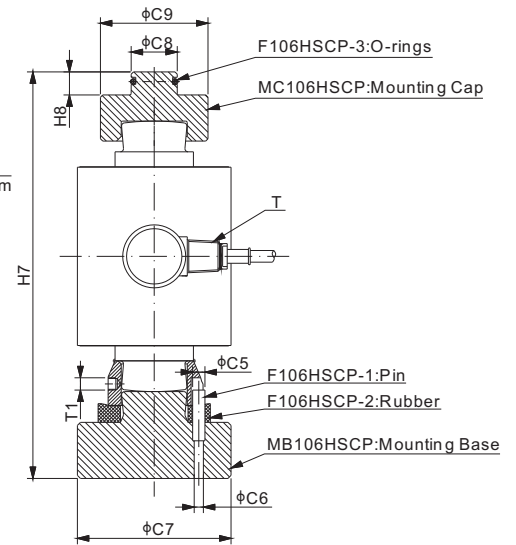
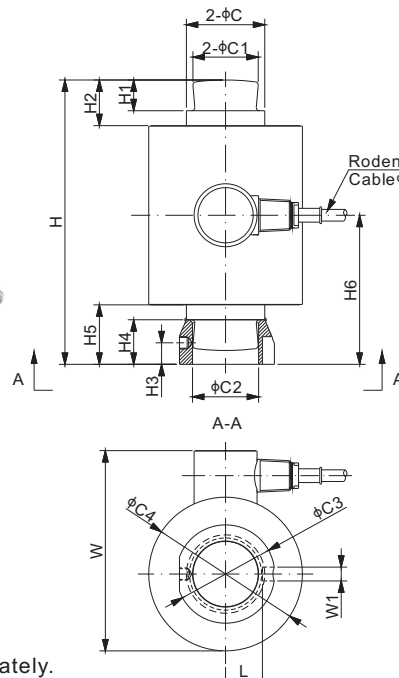


106HSCP

Stainless Steel



- Material of MC106HSCP, MB106HSCP & F106HSCP-1 is 17-4PH stainless steel;
- Material of F106HSCP-2 & F106HSCP-3 is rubber



Mounting hardware to be ordered separately.

DIMENSIONS

RATED CAPACITY	C	C1	C2	C3	C4	C5	C6	C7	C8	C9	H	H1	H2
t/mm													
35	51.0	42.5	43.0	64.0	100.0	8.0	6.0	100.0	30.0	70.0	185.0	20.0	29.7
Klb/inches (conversion of above dimensions)													
77.16	2.01	1.67	1.69	2.52	3.94	0.31	0.24	3.94	1.18	2.76	7.28	0.79	1.17
RATED CAPACITY	H3	H4	H5	H6	H7	H8	L	W	W1	T	T1		
t/mm													
35	14.0	29.0	38.7	97.0	264.5	15.0	24.0	130.3	9.0	1/2-14 NPT	M8 Depth5		
Klb/inches (conversion of above dimensions)													
77.16	0.55	1.14	1.52	3.82	10.41	0.59	0.94	5.13	0.35	1/2-14 NPT	M8 Depth0.2		

SPECIFICATIONS

Full Scale Output	2.0 mV/V ± 0.25%	Recommended Excitation	10V (15V Maximum)
Zero Balance	± 0.02 mV/V	Insulation Resistance	>2 [50V DC] GΩ
Non-linearity	< ± 0.03%	Compensated Temperature Range	-10°C to 50°C / 14°F to 122°F
Repeatability	< ± 0.02%	Safe Overload	150% of full scale
Hysteresis Error	< ± 0.02%	Breaking Overload	300% of full scale
Creep in 30 min.	< ± 0.02%	Seal Type / IP Rating	Welded Seal / IP68
Input Resistance	700Ω ± 20	Cable Color Code	Exc+ Red Exc- Black
Output Resistance	705Ω ± 5		Sig+ Green Sig- White
Element Material	17-4PH Stainless Steel		Shield Bare

PART NUMBER

Load Cell	Part No.	Shipping Weight (kg) Approx.
Rated Capacity		
35t.....	106HSCP-35t	6.9
	106HSCP-35t-FP*.....	10.2

Mounting Hardware	Load Cell Capacity	Part No.	Shipping Weight (kg)
Mounting Cap	35t.....	MC106HSCP-35t.....	0.8
Mounting Base.....	35t.....	MB106HSCP-35t.....	2.4
Pin.....	35t.....	F106HSCP-1-35t.....	0.012
Rubber.....	35t.....	F106HSCP-2-35t.....	0.002
O-Ring.....	35t.....	F106HSCP-3-35t.....	0.001

* 106HSCP-FP includes: 1 unit each of load cell, mounting cap, mounting base, pin, rubber, o-ring.

INTERCHANGEABLE PRODUCTS

Manufacturer	Model
Bilanciai.....	CPR-M



NTEP 1:10 000 Class III L, Multiple Cell

OIML MAA C3, Y=16 000