

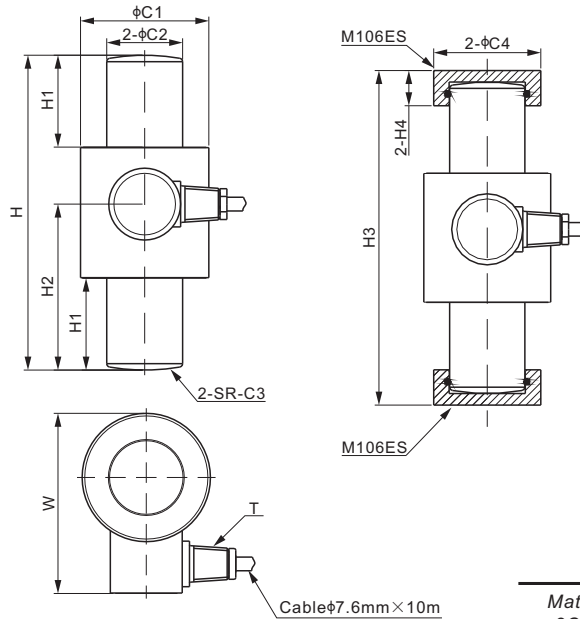
106ES

Stainless Steel



CE RoHS

Mounting hardware to be ordered separately.



Material of M106ES is 2Cr13 stainless steel

DIMENSIONS

RATED CAPACITY	C1	C2	C3	C4	H	H1	H2	H3	H4	W	T
Klb/inches											
50-100	2.95	1.73	11.0	2.49	7.25	2.09	3.82	7.78	0.82	4.18	1/2-14 NPT
kg/mm (conversion of above dimensions)											
22,680-45,360	75.0	44.4	280.0	63.3	184.0	53.0	97.0	197.6	20.8	106.2	1/2-14 NPT

SPECIFICATIONS

Full Scale Output	2.0 mV/V ± 1%	Recommended Excitation	10V (15V Maximum)
Zero Balance	± 0.02 mV/V	Insulation Resistance	>2 [50V DC] GΩ
Non-linearity	< ± 0.030%	Compensated Temperature Range	-10°C to 50°C / 14°F to 122°F
Repeatability	< ± 0.023%	Safe Overload	150% of full scale
Hysteresis Error	< ± 0.023%	Breaking Overload	300% of full scale
Creep in 30 min.	< ± 0.030%	Seal Type / IP Rating	Welded Seal / IP68
Input Resistance	1100Ω ± 50	Cable Color Code	Exc+ Red Exc- Black
Output Resistance	1000Ω ± 10		Sig+ Green Sig- White
Element Material	2Cr13 Stainless Steel		Shield Bare

PART NUMBER

Load Cell	Part No.	Shipping Weight (kg) Approx.	
Rated Capacity			
50Klb.....	106ES-50Klb-YZ.....	3.6	
100Klb.....	106ES-100Klb-YZ.....	4.1	
Mounting Hardware	Load Cell Capacity	Part No.	
Mounting Hardware	Capacity	Shipping Weight (kg)	
Mounting Cap....	(50-100)Klb....	M106ES-(50-100)Klb-YZ....	0.3

INTERCHANGEABLE PRODUCTS

Manufacturer	Model
Cardinal.....	SCA
Coti Global.....	CG-26S



NTEP 1:10 000 Class IIIIL, Multiple Cell



OIML MAA C3, Y=16 000