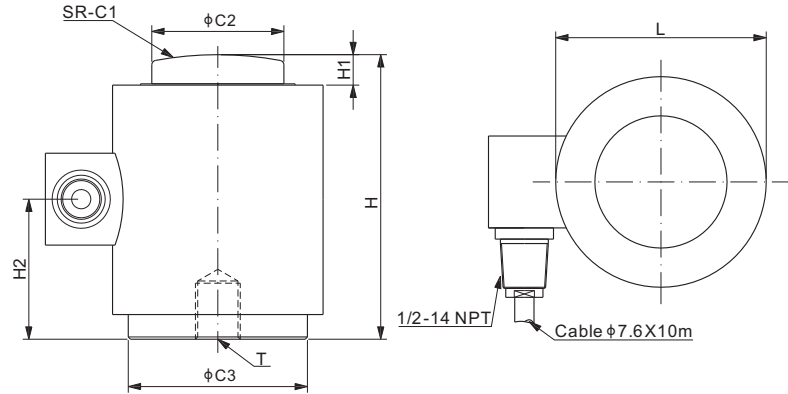


106CS; 106CS20



Stainless Steel



CE RoHS

DIMENSIONS

RATED CAPACITY	C1	C2	C3	H	H1	H2	L	T
Klb/inches								
25-50	6.00	1.25	2.44	3.25	0.39	1.68	2.76	1/2-20 UNF-2B Depth0.63
100	6.00	2.32	3.15	5.00	0.51	2.46	3.70	3/4-16 UNF-2B Depth0.98
200	17.00	3.13	5.28	7.25	1.04	3.28	5.91	3/4-16 UNF-2B Depth0.98
t/mm								
10-25	152.4	31.8	62.0	82.6	9.8	42.7	70.0	M12×1.75-6H Depth16
40-50	152.4	59.0	80.0	127.0	13.0	62.5	94.0	M20×2.50-6H Depth25
100	431.8	79.5	134.2	184.2	26.4	83.3	150.0	M20×2.50-6H Depth25

SPECIFICATIONS

Full Scale Output	106CS: 1.75 mV/V ± 0.25%	Recommended Excitation	10V (15V Maximum)
	106CS20: 2.0 mV/V ± 0.25%		Insulation Resistance
Zero Balance	± 0.02 mV/V	Compensated Temperature Range	-10°C to 50°C / 14°F to 122°F
Non-linearity	< ± 0.023%	Safe Overload	150% of full scale
Repeatability	< ± 0.030%	Breaking Overload	300% of full scale
Hysteresis Error	< ± 0.030%	Seal Type / IP Rating	Welded Seal / IP68
Creep in 30 min.	< ± 0.030%	Cable Color Code	Exc+ Red Exc- Black
Input Resistance	450Ω ± 4.5		Sig+ Green Sig- White
Output Resistance	480Ω ± 4.5		Shield Bare
Element Material	2Cr13 Stainless Steel		

PART NUMBER

Rated Capacity	Part No.	Shipping Weight (kg) Approx.
10t.....	106CS-10t-YZ.....	2.9
	106CS20-10t-YZ.....	2.9
15t.....	106CS-15t-YZ.....	2.9
	106CS20-15t-YZ.....	2.9
25t.....	106CS-25t-YZ.....	2.9
	106CS20-25t-YZ.....	2.9
40t.....	106CS-40t-YZ.....	6.0
	106CS20-40t-YZ.....	6.0
50t.....	106CS-50t-YZ.....	6.0
	106CS20-50t-YZ.....	6.0
100t.....	106CS-100t-YZ.....	12.5
	106CS20-100t-YZ.....	12.5
25Klb.....	106CS-25Klb-YZ.....	2.9
	106CS20-25Klb-YZ.....	2.9
50Klb.....	106CS-50Klb-YZ.....	2.9
	106CS20-50Klb-YZ.....	2.9
100Klb.....	106CS-100Klb-YZ.....	6.0
	106CS20-100Klb-YZ.....	6.0
200Klb.....	106CS-200Klb-YZ.....	12.5
	106CS20-200Klb-YZ.....	12.5

INTERCHANGEABLE PRODUCTS

Manufacturer	Model
106CS	
Cardinal.....	CP1
Coti Global.....	CG-175
Vishay Revere Transducers.....	CP
Vishay Revere Transducers.....	392B
106CS20	
Coti Global.....	CG-26S5
Rice Lake.....	RLCSP1
Vishay Revere Transducers.....	CSP
Vishay Revere Transducers.....	692B

CANISTERS & DISKS