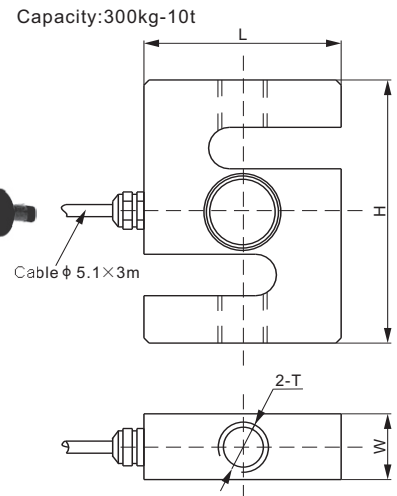
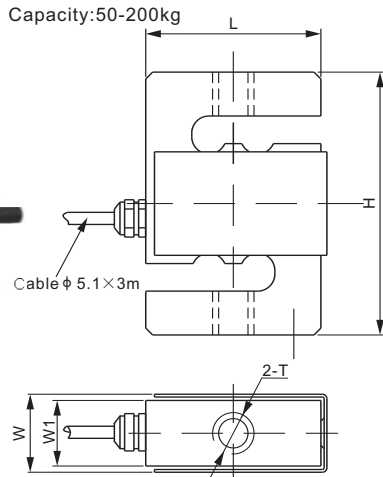
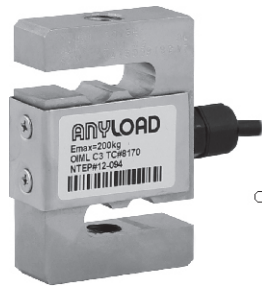


# 101BH



## Alloy Steel



### DIMENSIONS

RATED CAPACITY	H	L	W	W1	T
<b>kg/mm</b>					
50-200	76.2	50.8	22.6	19.0	M12X1.75
300-1,500; SE2,000	76.2	50.8	28.2	-	M12X1.75
2,000-5,000	108.0	76.2	25.4	-	M18X1.50
10,000	177.8	125.0	50.8	-	M30X2.00
<b>lb/inches</b> (conversion of above dimensions)					
110.23-440.92	3.00	2.00	0.89	0.75	M12X1.75
661.39-3,306.9; SE4,409.2	3.00	2.00	1.11	-	M12X1.75
4,409.2-11,023.1	4.25	3.00	1.00	-	M18X1.50
22,046.2	7.00	4.92	2.00	-	M30X2.00

### SPECIFICATIONS

<b>Full Scale Output</b>	2.0 mV/V ± 1%	<b>Recommended Excitation</b>	10V (15V Maximum)
<b>Zero Balance</b>	± 0.02 mV/V	<b>Insulation Resistance</b>	>2 [ 50V DC ] GΩ
<b>Non-linearity</b>	< ± 0.017%	<b>Compensated Temperature Range</b>	-10°C to 50°C / 14°F to 122°F
<b>Repeatability</b>	< ± 0.017%	<b>Safe Overload</b>	150% of full scale
<b>Hysteresis Error</b>	< ± 0.017%	<b>Breaking Overload</b>	300% of full scale
<b>Creep in 30 min.</b>	< ± 0.023%	<b>Seal Type / IP Rating</b>	Environmentally Sealed / IP67
<b>Input Resistance</b>	400Ω ± 20	<b>Cable Color Code</b>	Exc+ Red    Exc- Black
<b>Output Resistance</b>	350Ω ± 3		Sig+ Green    Sig- White
<b>Element Material</b>	Alloy Steel, Nickel Plated		Shield Bare

### PART NUMBER

Rated Capacity	Part No.	Shipping Weight (kg) Approx.
50kg	101BH-50kg	0.6
100kg	101BH-100kg	0.6
200kg	101BH-200kg	0.6
300kg	101BH-300kg	0.8
500kg	101BH-500kg	0.8
1t	101BH-1t	0.8
SE2t	101BH-SE2t	0.8
2t	101BH-2t	1.5
3t	101BH-3t	1.5
5t	101BH-5t	1.5
10t	101BH-10t	7.4

SE refers to small envelope

### WEIGH MODULE

Model	Page
101BHM2	125

### INTERCHANGEABLE PRODUCTS

Manufacturer	Model
Vishay Tedeo-Huntleigh	615



100lb-500lb: NTEP 1:4 500 Class III, Single Cell;  
1Klb-20Klb: NTEP 1:5 500 Class III, Single Cell  
200kg-1.5t: OIML MAA C3, Y=17 000;  
2t-10t: OIML MAA C4.5, Y=14 000