

Wireless Transmission Module

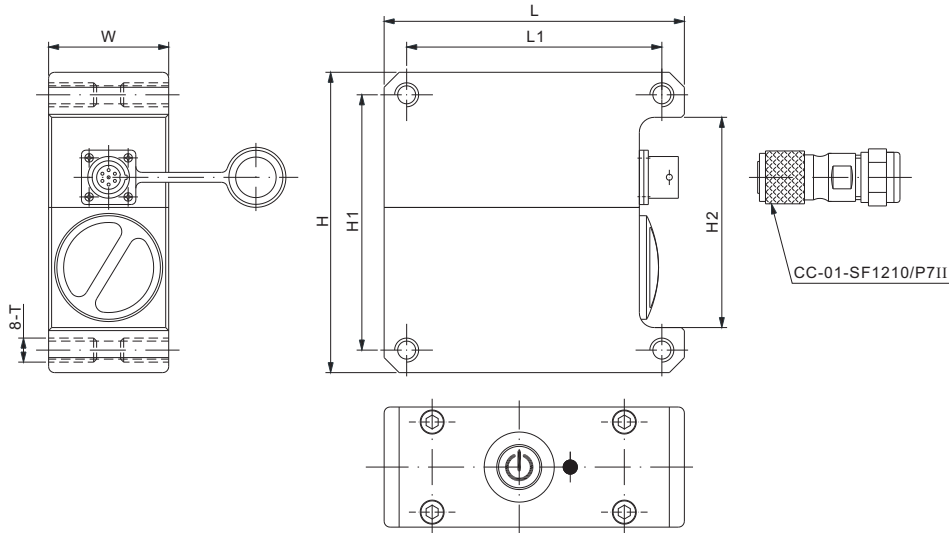


Features:

- 3xAA alkaline batteries works up to 100 hours on 20°C at the lowest power set up
- Water-proof, IP67
- Wireless Frequency: 433Mhz or 915Mhz
- Transmission Range: Up to 75m without obstruction

Complete Set Includes:

- One external wireless transmission module WL-RFTM-17
- One 7-pin connect included, which can connect the cable with external diameter of 5 - 8mm
- One 805HP-WL wireless weighing indicator



DIMENSIONS

	H	H1	H2	L	L1	W	T
mm	100.0	85.0	70.0	100.0	85.0	40.0	M8 Depth15
inches	3.94	3.35	2.76	3.94	3.35	1.57	M8 Depth0.59

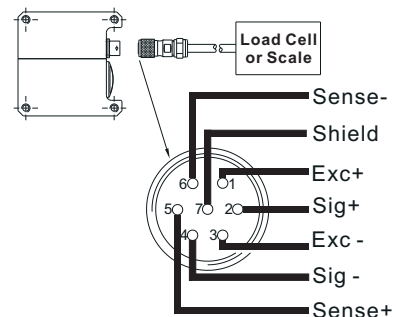
SPECIFICATIONS

Connected Type		Any kind of mV/V output load cell, force transducer, sensor or scale
Net Weight	kg/lb	0.7 / 1.5
Transmission Range	m	Up to 75 without obstruction
Operation Time	hours	Up to 100 on 20°C at the lowest power set up
Working Temperature	°C/°F	-20 to 70 / -4 to 158
Wireless Frequency	Mhz	433; 915
Power Supply		3xAA Alkaline batteries (included)
IP Rating		IP67
Enclosure Material		PVC

PART NUMBER

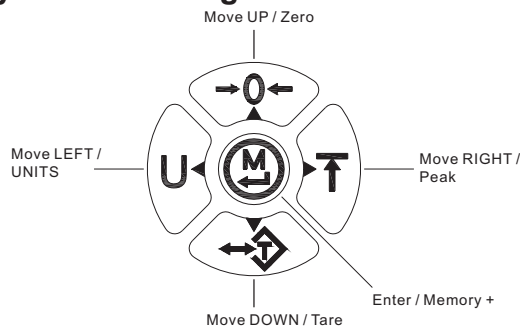
Part No.	Frequency	Net Weight (kg)
WL01-RF-17.....	433Mhz.....	1.1
WL02-RF-17.....	915Mhz.....	1.1

CONNECTION DIAGRAM





Keyboard Configuration

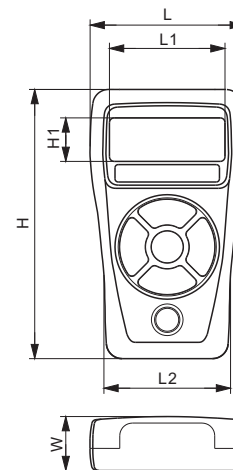


Features:

- 3xAA alkaline batteries works up to 100 hours on 20°C at the lowest power set up
- Material: ABS
- IP Rating: IP65
- LCD 6-digit display with LED backlight
- Non-volatile memory for reliable data saving
- Units of Measurement: kg, g, t, lb, Klb, N, kN, oz, user-defined unit
- Configurable 2 set-points for precaution and warning
- User-selectable display interval
- Overloading recording
- 10 user-selectable analog-to-digital converting frequency
- Weight calibration and digital calibration
- User-selectable auto power-off and power-saving timing
- Functions: Auto-Zero-Tracking, Auto-Zero, Manual-Zero, Hold, Peak-Hold, TARE

General Specifications	
Enclosure Material	ABS
Units of Measurement	kg, g, t, lb, Klb, N, kN, oz, user-defined unit
Working Temperature	-20°C to 70°C / -4°F to 158°F
Dimensions	170mm × 98mm × 34mm 6.7in × 3.9in × 1.34in
Display Type	LCD
Display Digits	6 digits
Digit Height	16.8mm / 0.66in
Display Dimensions	72mm × 27mm / 2.8in × 1.1in
Power Supply	3 × AA Alkaline batteries (included)
IP Rating	IP65

Technical Specifications	
Division	0.001; 0.002; 0.005; 0.01; 0.02; 0.05; 0.1; 0.2; 0.5; 1; 2; 5; 10; 20; 50
Tare range	100% Full Scale
Max. Power Consumption	6.25mW
Wireless Distance	Up to 75m without obstruction



DIMENSIONS

	H	H1	L	L1	L2	W
inches	6.7	1.1	3.9	2.8	3.2	1.3
mm	170	27	98	72	80	34