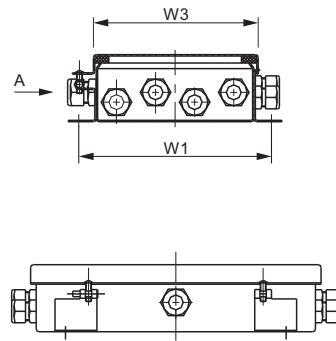
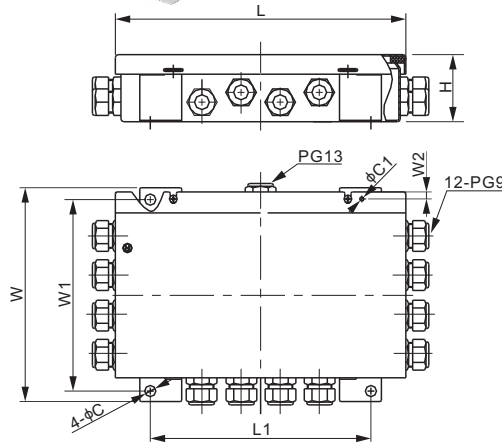


Features:

- Enclosure Material: Stainless steel SS304
- Number of cells: 2 - 12 single cells
- Trimming: Section or individual cell trim, with excitation or signal trim
- Equipped with independent adjustable resistors
- Patented never lost and integrated screw design
- Stainless steel screws
- IP Rating: IP65



DIMENSIONS

	C	C1	H	L	L1	W	W1	W2	W3
mm	8	2	45	198	150	174	159	5	150
inches	0.3	0.1	1.8	7.8	5.9	6.9	6.3	0.2	5.9

SPECIFICATIONS

Number of Cells	2 - 12 single cells	Trimming	Section or individual cell trim, with excitation or signal trim
Input Cable Fittings	PG9: 4mm - 8mm diameter cable		
Output Cable Fittings	PG13: 6mm - 12mm diameter cable	Enclosure Material	Stainless steel SS304
		IP Rating	IP65

PART NUMBER

Trimming	Section Trim	Lightning Protection	Part No.	Shipping Weight (kg) Approx.
Excitation.....YesNoNo	J12ES.....	1.2
Signal.....YesNoNo	J12SS.....	1.2
Excitation.....NoNoNo	J12ES-I.....	1.2
Signal.....NoNoNo	J12SS-I.....	1.2
Excitation.....NoYesNo	J12ES-II.....	1.2
Signal.....NoYesNo	J12SS-II.....	1.2
Excitation.....YesYesNo	J12ES-III.....	1.2
Signal.....YesYesNo	J12SS-III.....	1.2

MOTHERBOARD LAYOUT

