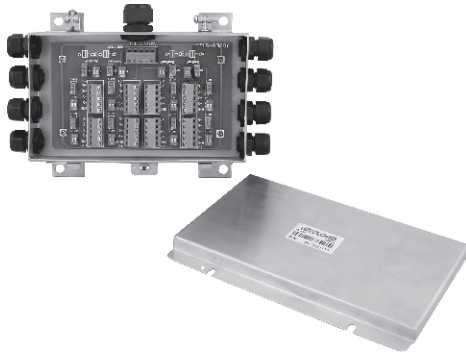


J08ES; J08SS

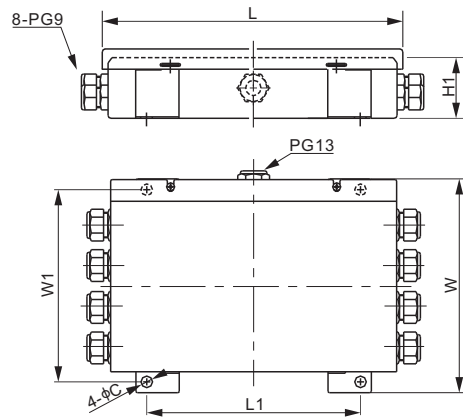
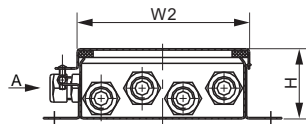


Stainless Steel



Features:

- Enclosure Material: Stainless steel SS304
- Number of cells: 2 - 8 single cells
- Trimming: Section or individual cell trim, with excitation or signal trim
- Equipped with independent adjustable resistors
- Patented never lost and integrated screw design
- Stainless steel screws
- IP Rating: IP65



DIMENSIONS

| | C | H | H1 | L | L1 | W | W1 | W2 |
|--------|-----|-----|-----|-----|-----|-----|-----|-----|
| mm | 8 | 45 | 40 | 200 | 149 | 149 | 135 | 119 |
| inches | 0.3 | 1.8 | 1.6 | 7.9 | 5.9 | 5.9 | 5.3 | 4.7 |

SPECIFICATIONS

| | | | |
|------------------------------|---------------------------------|---------------------------|---|
| Number of Cells | 2 - 8 single cells | Trimming | Section or individual cell trim, with excitation or signal trim |
| Input Cable Fittings | PG9: 4mm - 8mm diameter cable | | |
| Output Cable Fittings | PG13: 6mm - 12mm diameter cable | Enclosure Material | Stainless steel SS304 |
| | | IP Rating | IP65 |

PART NUMBER

| Trimming | Section Trim | Lightning Protection | Part No. | Shipping Weight (kg) Approx. |
|--------------------|--------------|----------------------|----------------|------------------------------|
| Excitation.....Yes |No |No | J08ES..... | 1.0 |
| Signal.....Yes |No |No | J08SS..... | 1.0 |
| Excitation.....No |No |No | J08ES-I..... | 1.0 |
| Signal.....No |No |No | J08SS-I..... | 1.0 |
| Excitation.....No |Yes |No | J08ES-II..... | 1.0 |
| Signal.....No |Yes |No | J08SS-II..... | 1.0 |
| Excitation.....Yes |Yes |No | J08ES-III..... | 1.0 |
| Signal.....Yes |Yes |No | J08SS-III..... | 1.0 |

MOTHERBOARD LAYOUT

