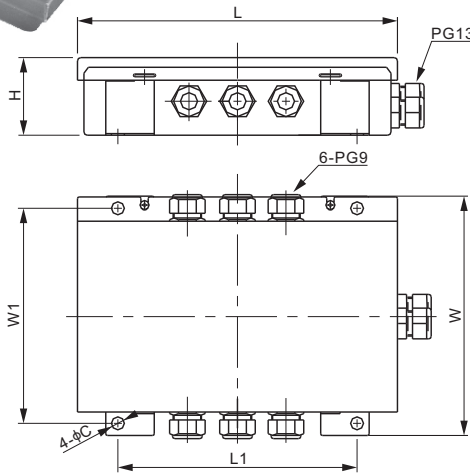


Features:

- Enclosure Material: Stainless steel SS304
- Number of cell connections: 2 - 6 single cells
- Trimming: Individual cell with excitation or signal trim
- Equipped with independent adjustable resistors
- Patented never lost and integrated screw design
- Stainless steel screws
- IP Rating: IP65



DIMENSIONS

	C	H	L	L1	W	W1
mm	8	44	200	147	149	135
inches	0.3	1.7	7.9	5.8	5.9	5.3

SPECIFICATIONS

Number of Cells	2 - 6 single cells	Trimming	Individual cell with excitation or signal trim
Input Cable Fittings	PG9: 4mm - 8mm diameter cable	Enclosure Material	Stainless steel SS304
Output Cable Fittings	PG13: 6mm - 12mm diameter cable	IP Rating	IP65

TRIMMING RANGE

Load Cell Resistance	Signal Trim	Excitation Trim
350 Ω	3.6% of output	2.3% of output
700 Ω	6.3% of output	1.3% of output
1000 Ω	7.0% of output	1.0% of output

PART NUMBER

Trimming	Lightning Protection	Part No.	Shipping Weight (kg) Approx.
Excitation	No	J06ES	0.9
Signal	No	J06SS	0.9
Excitation	Yes	J06ES-II	0.9
Signal	Yes	J06SS-II	0.9

MOTHERBOARD LAYOUT

