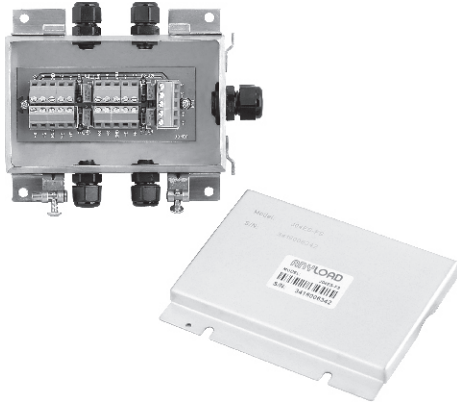


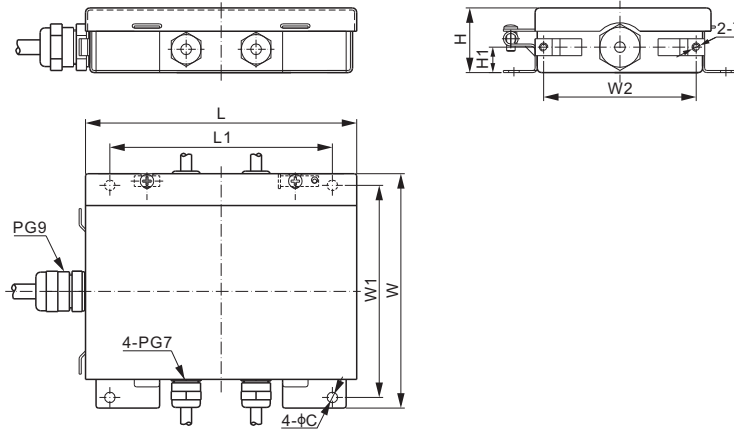
J04ES-FS

Stainless Steel



Features:

- Enclosure Material: Stainless steel casting
- Number of cells: 2 - 4 single cells
- Trimming: Individual cell with excitation trim
- Equipped with independent adjustable resistors
- Patented never lost and integrated screw design
- Stainless steel screws
- IP Rating: IP65



DIMENSIONS

	C	H	H1	L	L1	W	W1	W2	T
mm	5.0	31.0	12.0	128	105	110.5	100	72	M4
inches	0.2	1.2	0.5	5.0	4.1	4.4	3.9	2.8	M4

SPECIFICATIONS

Number of Cells	2 - 4 single cells	Trimming	Individual cell with excitation trim
Input Cable Fittings	PG7: 3mm - 6.5mm diameter cable	Enclosure Material	Stainless steel casting
Output Cable Fittings	PG9: 4mm - 8mm diameter cable	IP Rating	IP65

PART NUMBER

Trimming	Part No.	Shipping Weight (kg) Approx.
Excitation Trim.....	J04ES-FS.....	0.5

MOTHERBOARD LAYOUT

