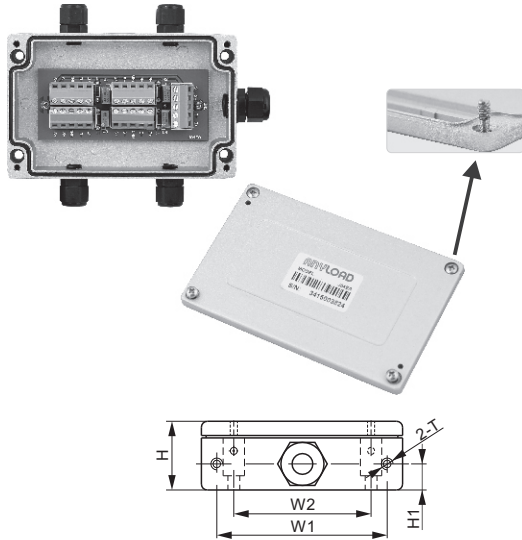
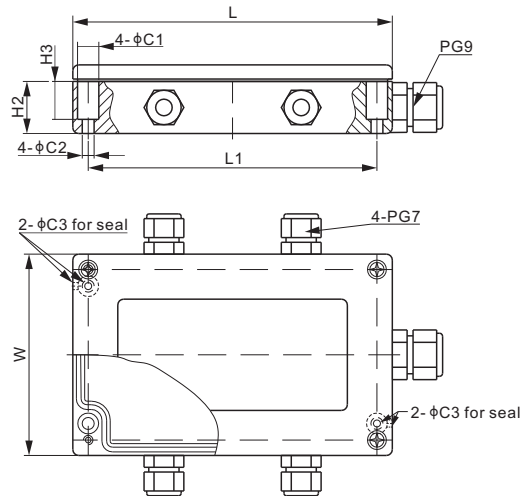


Aluminum



Features:

- Enclosure Material: Aluminum casting
- Number of cells: 2 - 4 single cells
- Trimming: Individual cell with excitation or signal trim
- Equipped with independent adjustable resistors
- Captive stainless steel screws (attached to the cover)
- IP Rating: IP65



DIMENSIONS

| | C1 | C2 | C3 | H | H1 | H2 | H3 | L | L1 | W | W1 | W2 | T |
|--------|-----|-----|-----|------|------|------|-----|-----|-----|-----|-----|-----|-------------|
| mm | 9 | 5 | 3 | 29.4 | 11.4 | 22.7 | 16 | 135 | 122 | 85 | 72 | 58 | M4-Depth7 |
| inches | 0.4 | 0.2 | 0.1 | 1.2 | 0.4 | 0.9 | 0.6 | 5.3 | 4.8 | 3.3 | 2.8 | 2.3 | M4-Depth0.3 |

SPECIFICATIONS

| | | | |
|-----------------------|-------------------------------|--------------------|--|
| Number of Cells | 2 - 4 single cells | Trimming | Individual cell with excitation or signal trim |
| Input Cable Fittings | PG7: 2mm - 6mm diameter cable | Enclosure Material | Aluminum casting |
| Output Cable Fittings | PG9: 4mm - 8mm diameter cable | IP Rating | IP65 |

PART NUMBER

| Trimming | Part No. | Shipping Weight (kg) Approx. |
|-----------------|----------|------------------------------|
| Excitation Trim | J04EA | 0.5 |
| Signal Trim | J04SA | 0.5 |

MOTHERBOARD LAYOUT

