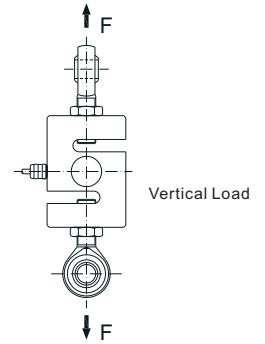
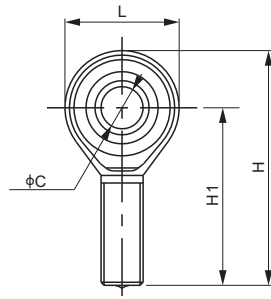
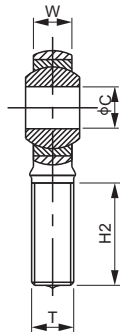


# RE; REH

## Rod End, Alloy Steel

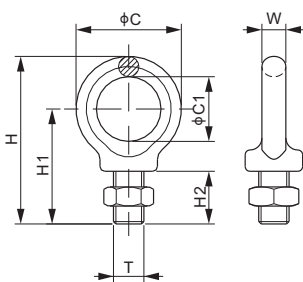


PART NUMBER	DIMENSIONS							Safe Working Load	Shipping Weight (kg)
	C	H	H1	H2	L	W	T		
<b>inches</b>									
RE-1/4	0.25	1.90	1.50	0.95	0.80	0.25	1/4-28 UNF	500lb	0.1
RE-1/2	0.50	2.80	2.15	1.30	1.35	0.50	1/2-20 UNF	2Klb	0.1
RE-3/4	0.75	4.05	3.05	1.80	1.95	0.70	3/4-16 UNF	5Klb	0.3
RE-1	1.00	5.50	4.10	2.30	2.75	0.85	1-14 UNS	10Klb	0.9
RE-1-1/4	1.20	5.70	4.30	2.65	2.75	1.00	1-1/4-12 UNF	15Klb	1.0
REH-1/2	0.75	4.05	3.05	1.80	1.95	0.70	1/2-20 UNF	3Klb	0.3
REH-3/4	1.00	5.50	4.10	2.30	2.75	0.85	3/4-16 UNF	10Klb	0.8
REH-1	1.20	5.70	4.30	2.65	2.75	1.00	1-14 UNS	15Klb	1.0
<b>mm</b>									
RE-M6	5.9	46.0	36.0	21.5	20.0	12.0	M6	0.1t	0.1
RE-M12	12.0	70.0	53.5	31.0	32.0	12.0	M12	1.5t	0.1
RE-M16	16.0	86.0	66.0	37.0	40.0	15.0	M16	1.7t	0.2
RE-M18	18.0	95.5	72.0	41.0	46.0	16.5	M18X1.5	2t	0.3
RE-M24	25.0	124.5	94.2	57.0	60.0	21.0	M24X2.0	3t	0.6
RE-M30	30.0	145.0	109.5	62.5	70.0	24.5	M30X2.0	4.5t	0.8
REH-M12	19.0	103.0	77.5	46.0	49.5	18.0	M12	1.7t	-
REH-M18	25.5	139.5	104.0	58.5	70.0	21.5	M18X1.5	5t	-
REH-M24	25.5	139.5	104.0	58.5	70.0	21.5	M24X2.0	5t	-

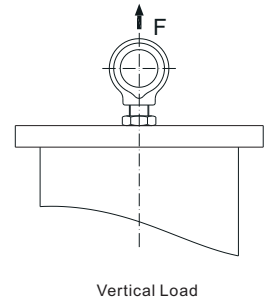
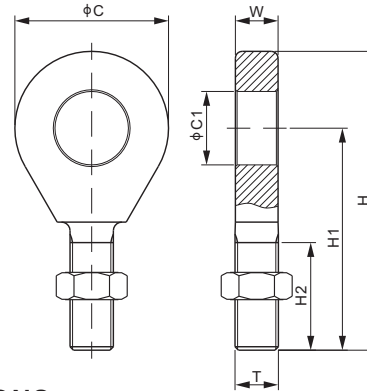
# EYE; EYH

## Eyebolt, Alloy Steel

EYE



EYH



PART NUMBER	DIMENSIONS							Safe Working Load	Shipping Weight (kg)
	C	C1	H	H1	H2	W	T		
<b>inches</b>									
EYE-1/4	1.23	0.67	1.89	1.33	0.62	0.31	1/4-28 UNF	0.7Klb	0.1
EYE-1/2	1.71	1.02	2.73	2.08	0.97	0.39	1/2-20 UNF	1.3Klb	0.1
EYE-3/4	2.74	1.53	4.11	2.95	1.37	0.63	3/4-16 UNF	5.5Klb	0.4
EYH-3/4	3.11	1.54	5.91	4.35	2.01	0.79	3/4-16 UNF	11Klb	0.8
EYH-1	3.54	1.69	6.89	5.12	2.48	0.98	1-14 UNS	16.5Klb	1.4
EYH-1-1/4	4.45	2.09	8.46	6.24	2.95	1.26	1-1/4-12 UNF	22Klb	2.7
<b>mm</b>									
EYE-M12	43.5	26	69.5	53	24.5	11	M12X1.75	0.6t	0.1
EYH-M16	79	39	150	110.5	51	20	M16X2.0	2t	0.8
EYH-M18	79	39	150	110.5	51	20	M18X1.5	4t	0.8
EYH-M24	90	43	175	130	63	25	M24X2.0	7.5t	1.4
EYH-M30	113	53	215	158.5	75	32	M30X2.0	10t	2.7
EYH-M36	124	62	238	176	90	40	M36X2.0	18t	3.7
EYH-M42	176	88	316	228	105	48	M42X2.0	25t	3.8