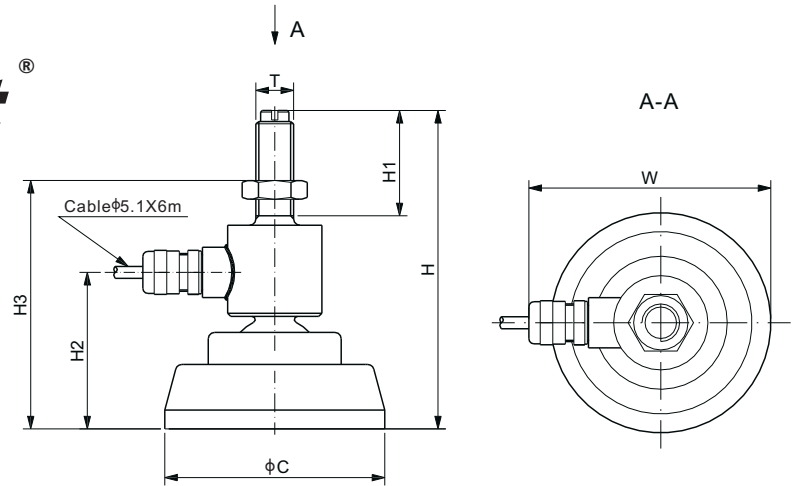


106MS-F

Stainless Steel



CE RoHS

DIMENSIONS

RATED CAPACITY	C	H	H1	H2	H3	W	T
t/mm							
0.5-1	70.0	101.3	33.5	49.8	74.0-97.0	77.0	M12×1.75
2	70.0	117.8	50.0	49.8	76.0-114.0	77.0	M16×2.00
Klb/inches							
1-2.5	2.76	3.99	1.32	1.96	2.91-3.82	3.03	1/2-20 UNF

SPECIFICATIONS

Full Scale Output	2.0 mV/V ± 0.25%	Recommended Excitation	10V (15V Maximum)
Zero Balance	± 0.02 mV/V	Insulation Resistance	>2 [50V DC] GΩ
Non-linearity	< ± 0.050%	Compensated Temperature Range	-10°C to 50°C / 14°F to 122°F
Repeatability	< ± 0.030%	Safe Overload	150% of full scale
Hysteresis Error	< ± 0.050%	Breaking Overload	300% of full scale
Creep in 30 min.	< ± 0.030%	Seal Type / IP Rating	Welded Seal / IP67
Input Resistance	380Ω ± 20	Cable Color Code	Exc+ Red Exc- Black
Output Resistance	350Ω ± 3		Sig+ Green Sig- White
Element Material	2Cr13 Stainless Steel		Shield Bare

PART NUMBER

Rated Capacity	Part No.	Shipping Weight (kg) Approx.
500kg.....	106MS-F-500kg-YZ.....	0.8
1t.....	106MS-F-1t-YZ.....	0.8
2t.....	106MS-F-2t-YZ.....	0.9
1Klb.....	106MS-F-1Klb-YZ.....	0.8
2.5Klb.....	106MS-F-2.5Klb-YZ.....	0.8