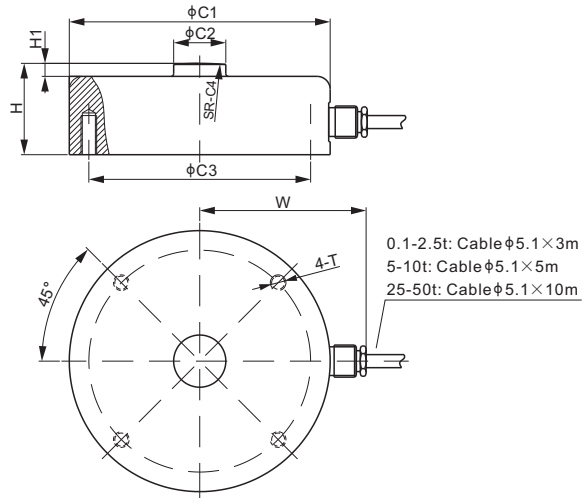


# 266ASPT

## Stainless Steel



CE RoHS

### DIMENSIONS

RATED CAPACITY	C1	C2	C3	C4	H	H1	W	T
<b>t/mm</b>								
0.1-1	52.0	10.0	44.0	30.0	22.0	4.0	41.0	M5 Depth12
2.5	52.0	10.0	44.0	30.0	25.0	4.0	41.0	M5 Depth12
5	100.0	20.0	85.0	120.0	30.0	5.0	65.0	M6 Depth15
10	100.0	20.0	85.0	120.0	35.0	5.0	65.0	M6 Depth15
25	115.0	32.0	90.0	150.0	50.0	10.0	75.0	M12 Depth25
50	155.0	45.0	130.0	180.0	55.0	12.0	95.0	M12 Depth25
<b>Klb/inches</b> (conversion of above dimensions)								
0.22-2.2	2.05	0.39	1.73	1.18	0.87	0.16	1.61	M5 Depth0.47
5.5	2.05	0.39	1.73	1.18	0.98	0.16	1.61	M5 Depth0.47
11	3.94	0.79	3.35	4.72	1.18	0.20	2.56	M6 Depth0.59
22	3.94	0.79	3.35	4.72	1.38	0.20	2.56	M6 Depth0.59
55	4.53	1.26	3.54	5.91	1.97	0.39	2.95	M12 Depth0.98
110	6.10	1.77	5.12	7.09	2.17	0.47	3.74	M12 Depth0.98

### SPECIFICATIONS

<b>Full Scale Output</b>	2.0 mV/V ± 1%	<b>Recommended Excitation</b>	10V (15V Maximum)
<b>Zero Balance</b>	± 0.02 mV/V	<b>Insulation Resistance</b>	>2 [ 50V DC ] GΩ
<b>Non-linearity</b>	< ± 0.050%	<b>Compensated Temperature Range</b>	-10°C to 50°C / 14°F to 122°F
<b>Repeatability</b>	< ± 0.030%	<b>Safe Overload</b>	150% of full scale
<b>Hysteresis Error</b>	< ± 0.070%	<b>Breaking Overload</b>	300% of full scale
<b>Creep in 30 min.</b>	< ± 0.050%	<b>Seal Type / IP Rating</b>	Welded Seal / IP68
<b>Input Resistance</b>	415Ω ± 15	<b>Cable Color Code</b>	Exc+ Red      Exc- Black
<b>Output Resistance</b>	350Ω ± 3		Sig+ Green      Sig- White
<b>Element Material</b>	2Cr13 Stainless Steel		Shield Bare

### PART NUMBER

Rated Capacity	Part No.	Shipping Weight (kg) Approx.
100kg.....	266ASPT-100kg-YZ.....	-
250kg.....	266ASPT-250kg-YZ.....	-
500kg.....	266ASPT-500kg-YZ.....	-
1t.....	266ASPT-1t-YZ.....	-
2.5t.....	266ASPT-2.5t-YZ.....	-
5t.....	266ASPT-5t-YZ.....	1.9
10t.....	266ASPT-10t-YZ.....	2.0
25t.....	266ASPT-25t-YZ.....	-
50t.....	266ASPT-50t-YZ.....	-

### INTERCHANGEABLE PRODUCTS

Manufacturer	Model
PT Global.....	LPX

CANISTERS & DISKS