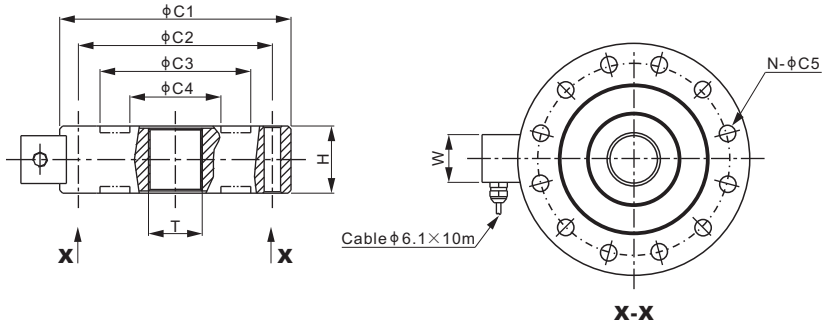
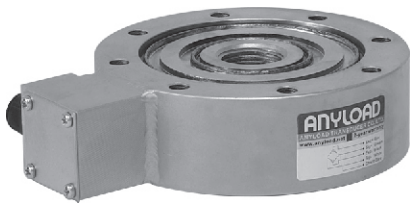


363YH



Alloy Steel



CE RoHS

Mounting hardware to be ordered separately.

DIMENSIONS

RATED CAPACITY	C1	C2	C3	C4	C5	N	H	W	T
t/mm									
1-5	113.0	97.0	81.0	37.0	7	8	35.0	32.0	M24X2
10; 20	155.0	130.0	106.0	56.0	11	12	45.0	32.0	M36X2
30	180.0	150.0	125.0	75.0	13	12	58.0	32.0	M42X2
50	205.0	165.0	125.0	75.0	13	16	64.0	32.0	M42X2
100	280.0	228.0	182.0	118.0	17	16	90.0	48.0	M70X3
150; 200	296.0	256.0	223.0	133.0	22	16	120.0	48.0	M90X3
300	346.0	282.0	242.0	174.0	26	16	180.0	48.0	M120X3
lb/inches (conversion of above dimensions)									
2,204.6-11,023.1	4.45	3.82	3.19	1.46	0.28	8	1.38	1.26	M24X2
22,046.2; 44,092.5	6.10	5.12	4.17	2.20	0.43	12	1.77	1.26	M36X2
66,138.7	7.09	5.91	4.92	2.95	0.51	12	2.28	1.26	M42X2
110,231.1	8.07	6.50	4.92	2.95	0.51	16	2.52	1.26	M42X2
220,462.3	11.02	8.98	7.17	4.65	0.67	16	3.54	1.89	M70X3
330,693.4; 440,924.5	11.65	10.08	8.78	5.24	0.87	16	4.72	1.89	M90X3
661,386.8	13.62	11.10	9.53	6.85	1.02	16	7.09	1.89	M120X3

SPECIFICATIONS

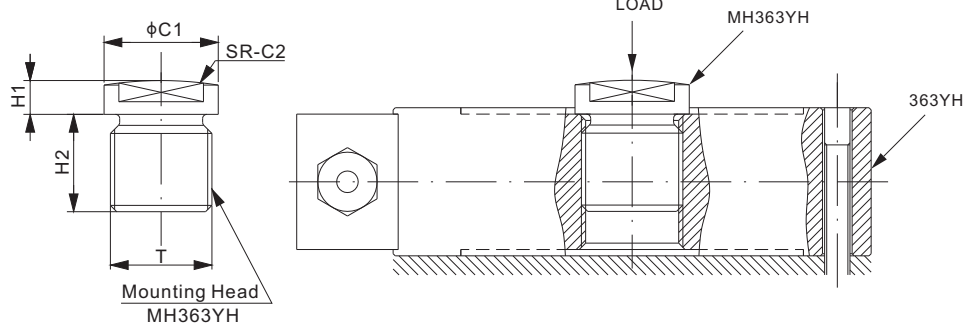
Full Scale Output	2.0 mV/V \pm 1%	Recommended Excitation	10V (15V Maximum)
Zero Balance	$\leq \pm 0.02$ mV/V	Insulation Resistance	> 2 [50V DC] G Ω
Non-linearity	Cap. $\leq 5t$: $\leq \pm 0.050\%$; Cap. $\geq 10t$: $\leq \pm 0.30\%$	Compensated Temperature Range	-10°C to 50°C / 14°F to 122°F
Repeatability	Cap. $\leq 5t$: $\leq \pm 0.030\%$; Cap. $\geq 10t$: $\leq \pm 0.20\%$	Safe Overload	150% of full scale
Hysteresis Error	Cap. $\leq 5t$: $\leq \pm 0.050\%$; Cap. $\geq 10t$: $\leq \pm 0.30\%$	Breaking Overload	300% of full scale
Creep in 30 min.	Cap. $\leq 5t$: $\leq \pm 0.050\%$; Cap. $\geq 10t$: $\leq \pm 0.10\%$	Seal Type / IP Rating	Welded Seal / IP67
Input Resistance	770 Ω \pm 30	Cable Color Code	Exc+ Red Exc- Black
Output Resistance	700 Ω \pm 5		Sig+ Green Sig- White
Element Material	Alloy Steel, Nickel Plated		Shield Bare

PART NUMBER

Rated Capacity	Part No.	Shipping Weight (kg) Approx.
1t.....	363YH-1t-YZ.....	2.8
2t.....	363YH-2t-YZ.....	2.8
3t.....	363YH-3t-YZ.....	2.8
5t.....	363YH-5t-YZ.....	2.8
10t.....	363YH-10t-YZ.....	5.5
20t.....	363YH-20t-YZ.....	5.5
30t.....	363YH-30t-YZ.....	12.4
50t.....	363YH-50t-YZ.....	16.8
100t.....	363YH-100t-YZ.....	40.6
150t.....	363YH-150t-YZ.....	51.0
200t.....	363YH-200t-YZ.....	51.0
300t.....	363YH-300t-YZ.....	97.2

CANISTERS & DISKS

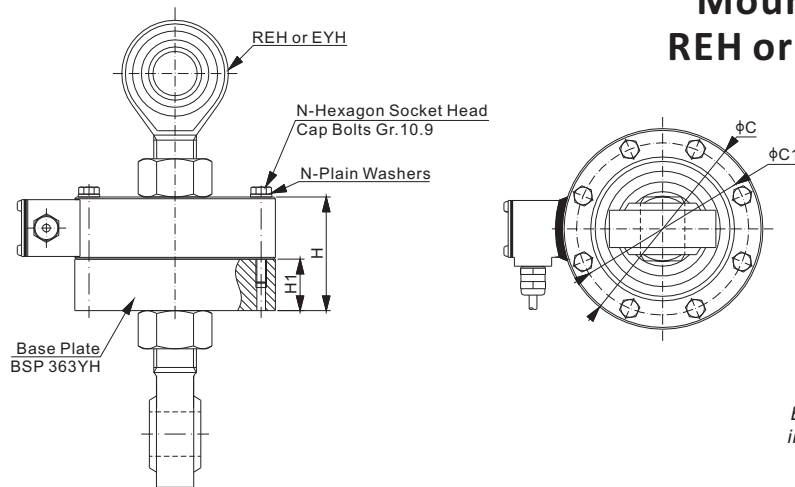
Mounting Variation 1, Alloy Steel MH363YH



DIMENSIONS

PART NUMBER	LOAD CELL CAPACITY	C1	C2	H1	H2	T
	t/mm					
MH363YH-(1-5)t	1-5	27.0	85.0	8.0	25.0	M24X2
MH363YH-(10-20)t	10; 20	45.0	150.0	22.0	38.0	M36X2
MH363YH-30t	30	54.0	180.0	32.0	48.0	M42X2
MH363YH-50t	50	64.0	200.0	42.0	54.0	M42X2
MH363YH-100t	100	102.0	300.0	48.0	79.0	M70X3
MH363YH-(150-200)t	150; 200	136.0	300.0	60.0	79.0	M90X3
MH363YH-300t	300	160.0	500.0	80.0	90.0	M120X3
	lb/inches (conversion of above dimensions)					
MH363YH-(1-5)t	2,204.6-11,023.1	1.06	3.35	0.31	0.98	M24X2
MH363YH-(10-20)t	22,046.2; 44,092.5	1.77	5.91	0.87	1.50	M36X2
MH363YH-30t	66,138.7	2.13	7.09	1.26	1.89	M42X2
MH363YH-50t	110,231.1	2.52	7.87	1.65	2.13	M42X2
MH363YH-100t	220,462.3	4.02	11.81	1.89	3.11	M70X3
MH363YH-(150-200)t	330,693.4; 440,924.5	5.35	11.81	2.36	3.11	M90X3
MH363YH-300t	661,386.8	6.30	19.69	3.15	3.54	M120X3

Mounting Variation 2 REH or EYH+ BSP363YH



Bolts & plain washers are included in the set of Base Plate BSP363YH

DIMENSIONS

PART NUMBER	LOAD CELL CAPACITY	C	C1	H	H1	N	Matching Bolts	Matching REH or EYH
	t/mm							
BSP363YH-(1-5)t	1-5	113.0	97.0	64.0	29.0	8	M6X50	REH-M24
BSP363YH-(10-20)t	10; 20	155.0	130.0	90.0	45.0	12	M10X60	EYH-M36
BSP363YH-30t	30	180.0	150.0	108.0	50.0	12	M12X80	EYH-M42
BSP363YH-50t	50	205.0	165.0	114.0	50.0	16	M12X80	EYH-M42
	lb/inches (conversion of above dimensions)							
BSP363YH-(1-5)t	2,204.6-11,023.1	4.45	3.82	2.52	1.14	8	M6X50	REH-M24
BSP363YH-(10-20)t	22,046.2; 44,092.5	6.10	5.12	3.54	1.77	12	M10X60	EYH-M36
BSP363YH-30t	66,138.7	7.09	5.91	4.25	1.97	12	M12X80	EYH-M42
BSP363YH-50t	110,231.1	8.07	6.50	4.49	1.97	16	M12X80	EYH-M42