

## NPS Series

### FEATURES

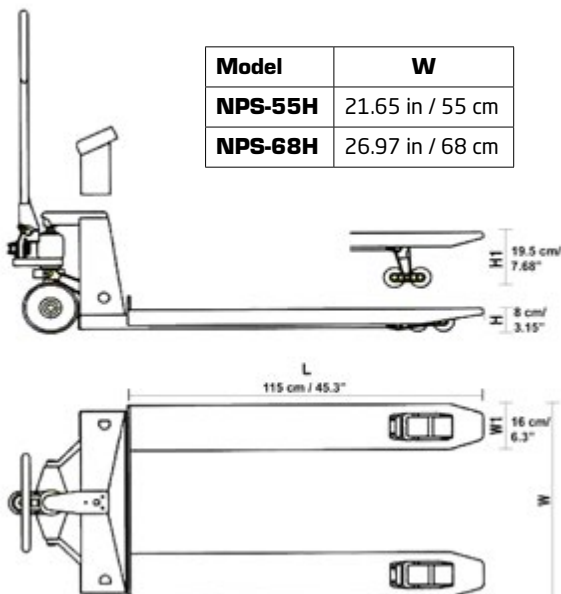
- Include all universal hand pallet truck functions
- Specialized nylon or polyurethane wheels
- Six 1-inch digits LED display
- Basic counting function
- kg/lb conversion function
- Rechargeable battery
- Low voltage indication
- Auto-off and charging auto control function
- RS232 Output



NPS-55S Body made with high quality 304 stainless steel

### OPTION

- Stainless Steel Structure (NPS-55S)
- Printer



Part#	NPS-68H-5Klb	NPS-55H-5Klb
<b>Division</b>	1 lb	1 lb
<b>Display Size</b>	6x1-inch LED Display	
<b>Fork Width</b>	26.97 in / 68.5 cm	21.65 in / 55.0 cm
<b>Platform Material</b>	Mild Steel	
<b>Scale Dimensions</b>	27 in X 61 in X 44 in / 68.5 cm X 155 cm X 112 cm	27 in X 61 in X 44 in / 68.5 cm X 155 cm X 112 cm
<b>Enclosure</b>	Mild Steel	
<b>Net Weight</b>	203.3 lb / 92.2kg	
<b>Power Source</b>	Rechargeable 6V/4Ah Battery	
<b>Operating Temp.</b>	0 - 45°C / 32 - 113 °F	
<b>Overload Capacity</b>	FS+9e	
<b>Stable Time</b>	1 second	
<b>Wooden Box</b>	1	
<b>Gross Weight</b>	278 lb / 126kg	267 lb / 121kg
<b>Replacement Load cell</b>	563YHTH-1t	
<b>Legal-for-trade</b>	No	
<b>Warranty</b>	1 Year Limited	
<b>Individual Dimensions</b>	63.4 in x 28.7 in x 19.3 in / 161 cm x 73 cm x 49 cm	63.4 in x 23.2 in x 23.2 in / 161 cm x 59 cm x 59 cm
<b>Individual Gross Weight</b>	278 lb / 126kg	267 lb / 121kg
<b>Pieces Per Carton</b>	1	1

\*Dimensions and specifications are subject to change without notice.