

# J04EA-16; J04SA-16

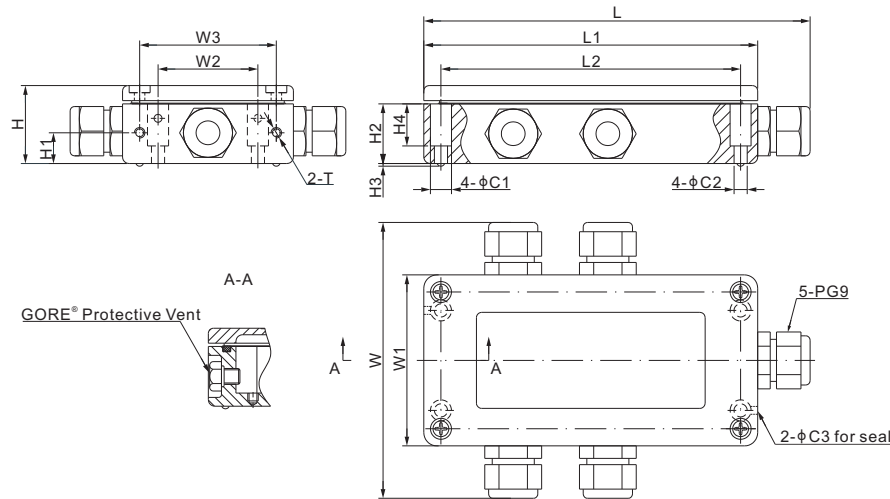


## Aluminum



### Features:

- Compact size with strong aluminum casting
- Number of cells: 2 - 4 single cells
- Trimming: Individual cell with excitation or signal trim
- Preinstalled GORE® breather vent
- Equipped with independent adjustable resistors
- Captive stainless steel screws (attached to the cover)
- IP Rating: IP67



### DIMENSIONS

	C1	C2	C3	H	H1	H2	H3	H4	L	L1	L2	W	W1	W2	W3	T
mm	8.0	5.0	3.0	29	11.7	22.7	1.0	16	145.5	127	114	102	65	38	52	M4 Depth <sup>7</sup>
inches	0.31	0.2	0.12	1.14	0.46	0.89	0.04	0.63	5.73	5.0	4.49	4.02	2.56	1.5	2.05	M4 Depth <sup>0.28</sup>

### SPECIFICATIONS

<b>Number of Cells</b>	2 - 4 single cells	<b>Trimming</b>	Individual cell with excitation or signal trim
<b>Input Cable Fittings</b>	PG9: 4mm - 8mm diameter cable	<b>Enclosure Material</b>	Aluminum casting
<b>Output Cable Fittings</b>	PG9: 4mm - 8mm diameter cable	<b>IP Rating</b>	IP67

### PART NUMBER

Trimming	Part No.	Shipping Weight (kg) Approx.
Excitation Trim .....	J04EA-16.....	0.5
Signal Trim.....	J04SA-16.....	0.5

### MOTHERBOARD LAYOUT

