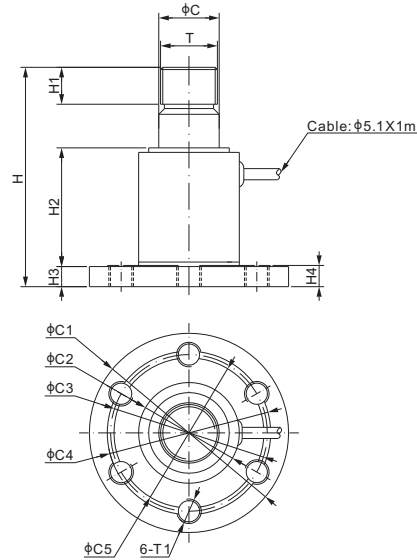


563FSAS

Stainless Steel



SINGLE ENDED BEAMS

CE RoHS

DIMENSIONS

RATED CAPACITY	C	C1	C2	C3	C4	C5	H	H1	H2	H3	H4	T	T1
Klb/inches													
2.5	1.06	3.50	1.77	2.76	2.64	2.87	3.86	0.65	2.09	0.35	0.37	1-14 UNS-2A	7/16-14 UNC-2B
kg/mm (conversion of above dimensions)													
1,134	27.0	89.0	45.0	70.0	67.0	73.0	98.0	16.5	53.0	9.0	9.5	1-14 UNS-2A	7/16-14 UNC-2B

SPECIFICATIONS			
Full Scale Output	0.4 mV/V ± 0.25%	Recommended Excitation	10V (15V Maximum)
Zero Balance	± 0.02 mV/V	Insulation Resistance	>2 [50V DC] GΩ
Non-linearity	< ± 0.017%	Compensated Temperature Range	-10°C to 50°C / 14°F to 122°F
Repeatability	< ± 0.017%	Safe Overload	150% of full scale
Hysteresis Error	< ± 0.017%	Breaking Overload	300% of full scale
Creep in 30 min.	< ± 0.023%	Seal Type / IP Rating	Environmentally Sealed / IP66
Input Resistance	1100Ω ± 50	Cable Color Code	Exc+ Red Exc- Black
Output Resistance	1000Ω ± 10		Sig+ Green Sig- White
Element Material	2Cr13 Stainless Steel		Shield Bare

PART NUMBER

Rated Capacity	Part No.	Shipping Weight (kg) Approx.
2.5Klb.....	563FSAS-2.5Klb-YZ.....	1.1