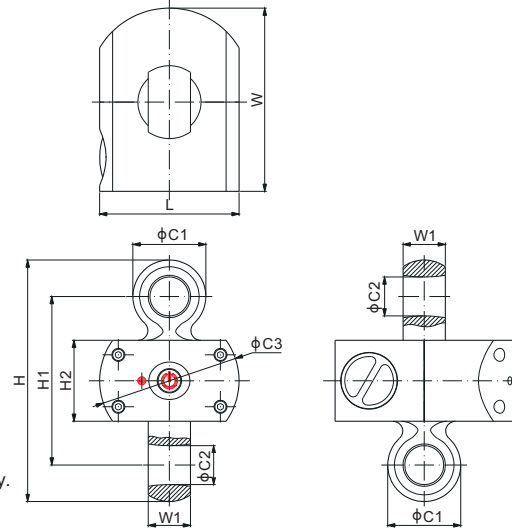


Alloy Steel; Wireless Tension Link; Patent Design



TENSLINK™



CE RoHS

* Indicator to be ordered separately.

DIMENSIONS

RATED CAPACITY	C1	C2	C3	H	H1	H2	L	W	W1	SUGGESTED SHACKLE
t/mm										
0.5; 1; 2	33.0	18.0	80.0	110.0	74.0	38.0	80.0	110.0	18.0	Crosby G-2130-2t or SBX-2t
5	50.0	27.0	86.0	164.6	110.6	50.0	86.0	113.0	33.0	Crosby G-2130-6.5t or SBX-6.5t
10	63.0	37.0	86.0	205.0	135.0	50.0	86.0	125.0	41.0	Crosby G-2130-12t or SBX-12t
20	90.0	53.0	100.0	249.0	153.0	53.0	100.0	140.0	66.0	Crosby G-2130-25t or SBX-25t
30	87.0	44.0	100.0	248.0	150.0	50.0	100.0	152.0	58.0	Crosby G-2140-30t or TBX-30t
50	115.0	62.0	150.0	321.0	206.0	74.0	150.0	170.0	79.0	Crosby G-2140-55t or TBX-50t
Klb/inches										
1; 2; 4	1.30	0.71	3.15	4.33	2.91	1.50	3.15	4.33	0.71	Crosby G-2130-2t or SBX-2t
10	1.97	1.06	3.39	6.48	4.35	1.97	3.39	4.45	1.30	Crosby G-2130-6.5t or SBX-6.5t
20	2.48	1.46	3.39	8.07	5.31	1.97	3.39	4.92	1.61	Crosby G-2130-12t or SBX-12t
40	3.54	2.09	3.94	9.80	6.02	2.09	3.94	5.51	2.60	Crosby G-2130-25t or SBX-25t
60	3.43	1.73	3.94	9.76	5.91	1.97	3.94	5.98	2.28	Crosby G-2140-30t or TBX-30t
100	4.53	2.44	5.91	13.03	8.11	2.91	5.91	6.69	4.80	Crosby G-2140-55t or TBX-50t

SPECIFICATIONS

Division	500kg: 0.1kg	Max. Safety Load	200% of full scale
	1t: 0.2kg	Ultimate Load	500% of full scale
	2t: 0.5kg	Transmission Range	Up to 75m
	5t: 1kg	Operation Time	Up to 100hours
	10t: 2kg	Rechargeable Battery Type	3 x AA Alkaline batteries
	20t: 5kg	Operating Temperature	-10°C to 50°C / 14°F to 122°F
	30t, 50t: 10kg	Operating Humidity	<85% RH under 20°C[68°F]
Enclosure	Alloy Steel, Powder Coating	IP Rating	IP67

PART NUMBER

Rated Capacity	Frequency	Part No.	Self Weight Approx. (kg)
0.5t	433 Mhz	110RH-ST-0.5t-WL01	0.6
	915 Mhz	110RH-ST-0.5t-WL02	0.6
1t	433 Mhz	110RH-ST-1t-WL01	0.6
	915 Mhz	110RH-ST-1t-WL02	0.6
2t	433 Mhz	110RH-ST-2t-WL01	0.6
	915 Mhz	110RH-ST-2t-WL02	0.6
5t	433 Mhz	110RH-ST-5t-WL01	1.4
	915 Mhz	110RH-ST-5t-WL02	1.4
10t	433 Mhz	110RH-ST-10t-WL01	2.3
	915 Mhz	110RH-ST-10t-WL02	2.3
20t	433 Mhz	110RH-ST-20t-WL01	4.7
	915 Mhz	110RH-ST-20t-WL02	4.7
30t	433 Mhz	110RH-30t-WL01	5.5
	915 Mhz	110RH-30t-WL02	5.5
50t	433 Mhz	110RH-50t-WL01	19.2
	915 Mhz	110RH-50t-WL02	19.2

PART NUMBER

Rated Capacity	Frequency	Part No.	Self Weight Approx. (kg)
1Klb	433 Mhz	110RH-ST-1Klb-WL01	0.6
	915 Mhz	110RH-ST-1Klb-WL02	0.6
2Klb	433 Mhz	110RH-ST-2Klb-WL01	0.6
	915 Mhz	110RH-ST-2Klb-WL02	0.6
4Klb	433 Mhz	110RH-ST-4Klb-WL01	0.6
	915 Mhz	110RH-ST-4Klb-WL02	0.6
10Klb	433 Mhz	110RH-ST-10Klb-WL01	1.4
	915 Mhz	110RH-ST-10Klb-WL02	1.4
20Klb	433 Mhz	110RH-ST-20Klb-WL01	2.3
	915 Mhz	110RH-ST-20Klb-WL02	2.3
40Klb	433 Mhz	110RH-ST-40Klb-WL01	4.7
	915 Mhz	110RH-ST-40Klb-WL02	4.7
60Klb	433 Mhz	110RH-60Klb-WL01	5.5
	915 Mhz	110RH-60Klb-WL02	5.5
100Klb	433 Mhz	110RH-100Klb-WL01	19.2
	915 Mhz	110RH-100Klb-WL02	19.2

TENSION LINKS