



Documentation folder

Number **TC10816-1**

Project number 16200448

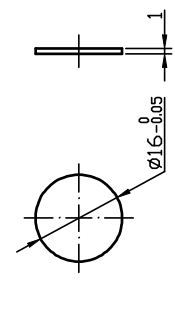
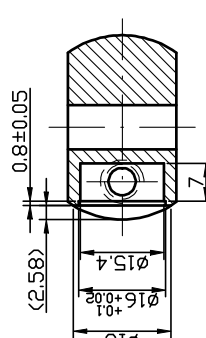
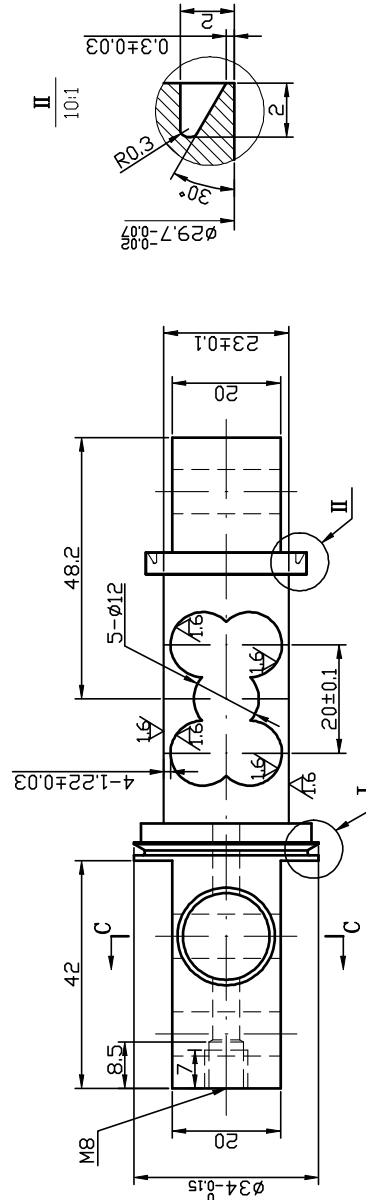
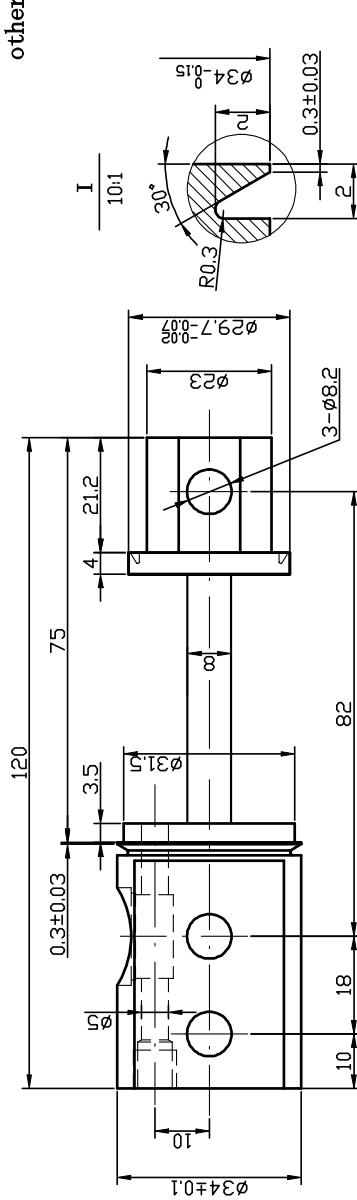
Page 1 of 1

Number	Pages	Description	Remark
10816/0-01	1	563RH and 563RS load cell element	Mechanical
10816/0-02	1	563RH and 563RS load cell outline	Mechanical
10816/0-03	1	563RH and 563RS electrical circuit diagram	Electrical



- Technical Requirements:**
1. Surface electropolishing
 2. no note tolerance dimensions by IT12
 3. the outer surface can not have any scratches
 4. sharp edges down a blunt 0.5x45°
 5. hardness HRC40-45 requirements
 6. with cover sheet

3.2
other



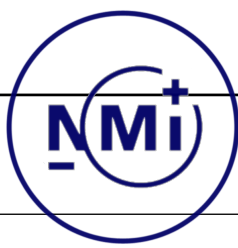
VO APPROVED	Geny. G	DATE	April. 27. 15
CHECKED	Tzika. H	DATE	April. 27. 15
DRAWN	ALL em. Z	DATE	April. 27. 15

ANYLOAD

TITLE: 563RS-10kg
load cell element

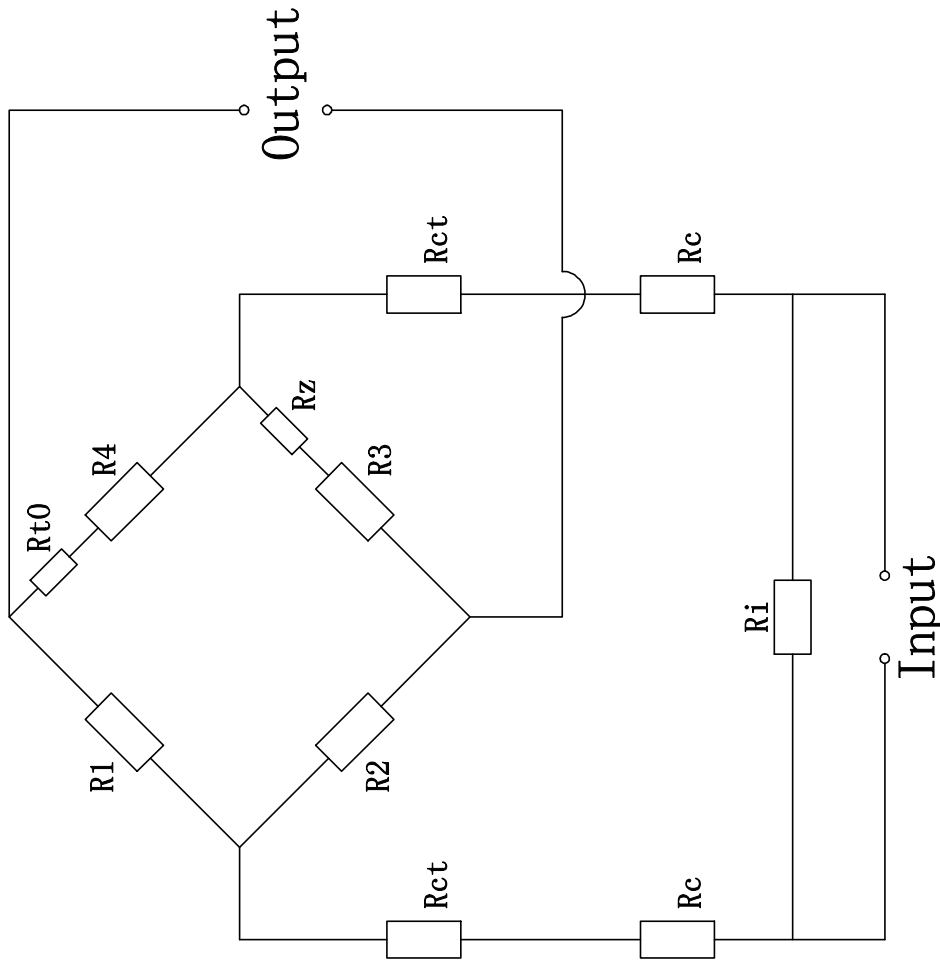
CAP. (kg)	10	MATERIAL	Steel	LCI008014	1605002-3 TOTAL 5	FILE NO.
DWC. NO.						

IMPORTANT NOTICE
This document consisting confidential proprietary information belongs to ANYLOAD who retains all copy and other rights. This document is submitted under a confidential relationship for specific purpose, and the recipient agrees by accepting this document not to supply or disclose any information regarding it to any unauthorized person.



Note:

1. R1, R2, R3, R4Strain Gage
2. RzZero Compensation
3. Rt0Zero Temp Compensation
4. RcSensitivity Compensation
5. RetSensitivity Temp Compensation
6. RiInput Resistant adjustment



V0	APPROVED	Gary. G	DATE	April. 27. 15
CHECKED	Tryke. H	DATE	April. 27. 15	
DRAWN	Allen. Z	DATE	April. 27. 15	

ANYLOAD

TITLE:

563RS-10kg

Electrical Circuit Diagram

PROJECTION: SHEET 1 OF 1

10	LC1008015	1606009-4 TOTAL 6
CAP. (kg)	DWG. NO.	FILE NO.

IMPORTANT NOTICE
 This document consisting of confidential proprietary information belongs to ANYLOAD who retains all copy and other rights. This document is submitted under a confidential relationship for specific purpose and the recipient agrees by accepting this document not to supply or disclose any information regarding it to any unauthorized person.

