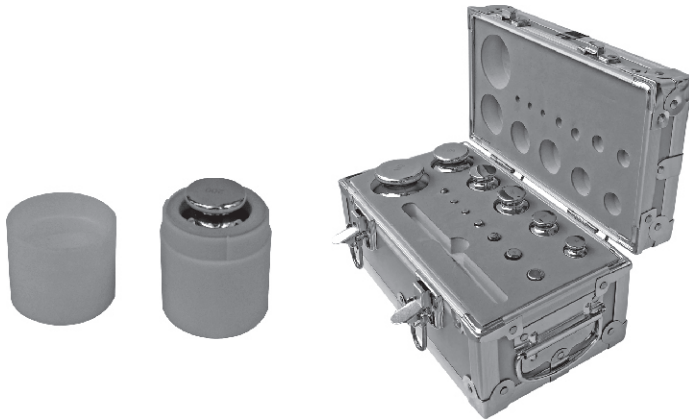


## Test Weight, Stainless Steel



### Individual Packing

Class F1

| Capacity | Part Number |
|----------|-------------|
| 1g       | TWSF1-1g    |
| 2g       | TWSF1-2g    |
| 5g       | TWSF1-5g    |
| 10g      | TWSF1-10g   |
| 20g      | TWSF1-20g   |
| 50g      | TWSF1-50g   |
| 100g     | TWSF1-100g  |
| 200g     | TWSF1-200g  |
| 500g     | TWSF1-500g  |
| 1kg      | TWSF1-1kg   |
| 2kg      | TWSF1-2kg   |
| 5kg      | TWSF1-5kg   |
| 10kg     | TWSF1-10kg  |
| 20kg     | TWSF1-20kg  |

### Whole Set

Class F1

| Capacity Range | Part Number      |
|----------------|------------------|
| 0.05g - 1g     | TWSF1-(0.05g-1g) |
| 1g - 1kg       | TWSF1-(1g-1kg)   |

Class M1

| Capacity Range | Part Number    |
|----------------|----------------|
| 1g - 1kg       | TWSM1-(1g-1kg) |

(0.05g-1g) Whole set contents:

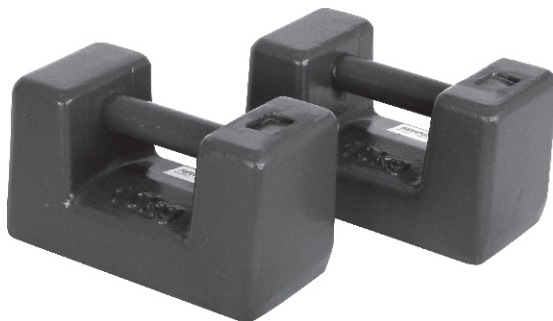
| Capacity | Quantity |
|----------|----------|
| 0.05g    | 1        |
| 0.1g     | 1        |
| 0.2g     | 2        |
| 0.5g     | 1        |
| 1g       | 1        |

(1g-1kg) Whole set contents:

| Capacity | Quantity |
|----------|----------|
| 1g       | 1        |
| 2g       | 2        |
| 5g       | 1        |
| 10g      | 1        |
| 20g      | 2        |
| 50g      | 1        |
| 100g     | 1        |
| 200g     | 2        |
| 500g     | 1        |
| 1kg      | 1        |

# TWC

## Test Weight, Cast Iron



### Individual Weights

Class M1

| Capacity | Part Number |
|----------|-------------|
| 5kg      | TWCM1-5kg   |
| 10kg     | TWCM1-10kg  |
| 20kg     | TWCM1-20kg  |
| 25kg     | TWCM1-25kg  |
| 50kg     | TWCM1-50kg  |
| 25lb     | TWCM1-25lb  |
| 50lb     | TWCM1-50lb  |