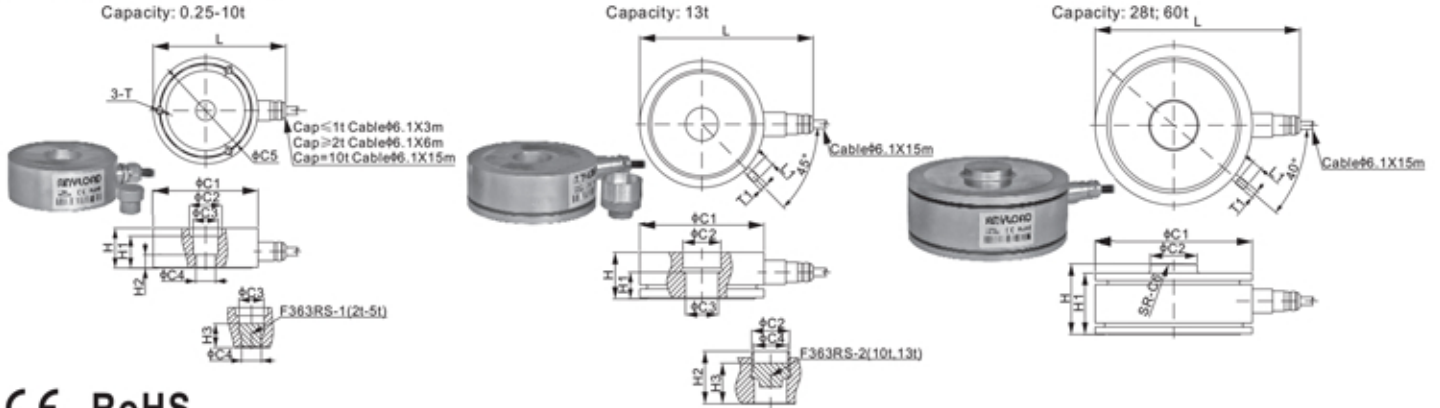


Stainless Steel



CE RoHS

Mounting hardware included.

DIMENSIONS

RATED CAPACITY	C1	C2	C3	C4	C5	H	H1	H2	H3	L	L1	C6	T	T1
kg/mm														
250-1,000	80.0	25.0	19.0	M10	70.0	25.0	24.0	10.0	-	100.0	-	-	M6 Depth8	-
2,000-5,000	80.0	25.0	19.0	15.0	70.0	30.0	24.0	10.0	18.0	100.0	-	-	M6 Depth8	-
10,000	95.0	-	29.1	24.9	83.0	35.0	-	20.2	-	115.0	-	-	M6 Depth8	-
13,000	95.0	29.0	25.0	26.0	-	35.0	20.0	40.0	31.0	132.0	8.0	-	-	M6
28,000	120.0	35.9	-	-	-	53.0	46.0	-	-	156.0	8.0	400.0	-	M6
60,000	140.0	47.9	-	-	-	69.0	62.0	-	-	176.0	8.0	600.0	-	M6
lb/inches (conversion of above dimensions)														
551.2-2,204.6	3.15	0.98	0.75	M10	2.76	0.98	0.95	0.39	-	3.94	-	-	M6 Depth0.32	-
4,409.2-11,023.1	3.15	0.98	0.75	0.59	2.76	1.18	0.95	0.39	0.71	3.94	-	-	M6 Depth0.32	-
22,046.2	3.74	-	1.15	0.98	3.27	1.38	-	0.59	-	4.53	-	-	M6 Depth0.32	-
28,660.1	3.74	1.14	0.98	1.02	-	1.38	0.79	1.57	1.22	5.20	0.32	-	-	M6
61,729.4	4.72	1.41	-	-	-	2.09	1.81	-	-	6.14	0.32	15.75	-	M6
132,277.4	5.51	1.89	-	-	-	2.72	2.44	-	-	6.93	0.32	23.62	-	M6

SPECIFICATIONS

Full Scale Output	2.0 mV/V ± 0.1%	Recommended Excitation	10V (15V Maximum)
Zero Balance	± 0.05 mV/V	Insulation Resistance	> 2 [50V DC] GΩ
Non-linearity	< ± 0.023%	Compensated Temperature Range	-10°C to 50°C / 14°F to 122°F
Repeatability	< ± 0.023%	Safe Overload	150% of full scale
Hysteresis Error	< ± 0.023%	Breaking Overload	300% of full scale
Creep in 30 min.	< ± 0.030%	Seal Type / IP Rating	Welded Seal / IP68
Input Resistance	1500 Ω ± 50	Cable Color Code	Exc+ Red Exc- Black Sig+ Green Sig- White Shield Bare
Output Resistance	1400 Ω ± 10		
Element Material	17-4PH Stainless Steel		

PART NUMBER

Rated Capacity	Part No.	Shipping Weight (kg) Approx.
250kg	363RS-250kg	1.0
500kg	363RS-500kg	1.0
1t	363RS-1t	1.0
2t	363RS-2t	1.3
3.5t	363RS-3.5t	1.3
5t	363RS-5t	1.3
10t	363RS-10t	2.5
13t	363RS-13t	2.5
28t	363RS-28t	4.0
60t	363RS-60t	6.5

WEIGH MODULE

Model	Page
363RSM1	126

INTERCHANGEABLE PRODUCTS

Manufacturer	Model
Mettler-Toledo	RLC
Vishay Revere Transducers	RLC