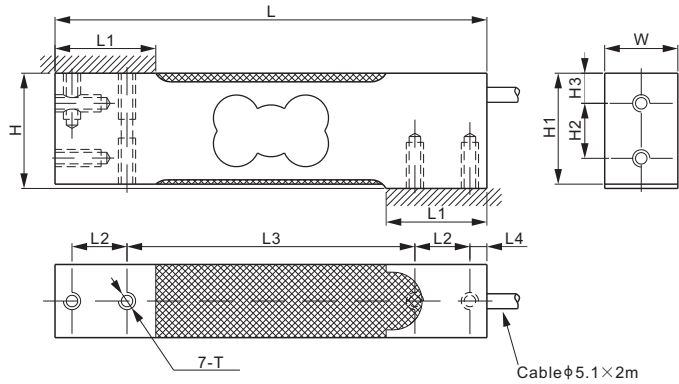
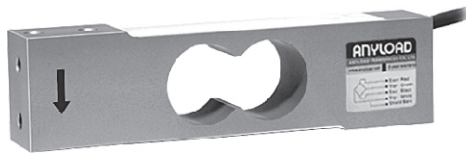


# 108TA; 108TAUN



## Aluminum



### DIMENSIONS

RATED CAPACITY	H	H1	H2	H3	L	L1	L2	L3	L4	W	T
<b>108TA:</b> kg/mm 3-200	40.0	38.5	19.1	10.5	150.0	35.0	19.1	100.0	5.9	25.4	M6 Depth 16
<b>lb/inches</b> (conversion of above dimensions) 6.61-440.92	1.57	1.52	0.75	0.41	5.91	1.38	0.75	3.94	0.23	1.00	M6 Depth 0.6
<b>108TAUN:</b> kg/mm 3-200	40.0	38.5	19.1	10.5	150.0	35.0	19.1	100.0	5.9	25.4	1/4-20UNC-2B Depth 16
<b>lb/inches</b> (conversion of above dimensions) 6.61-440.92	1.57	1.52	0.75	0.41	5.91	1.38	0.75	3.94	0.23	1.00	1/4-20UNC-2B Depth 0.6

### SPECIFICATIONS

<b>Full Scale Output</b>	2.0 ± 10% mV/V	<b>Recommended Excitation</b>	10V (15V Maximum)
<b>Zero Balance</b>	± 0.02 mV/V	<b>Reference Max. Platform Size</b>	400 × 450 mm
<b>Non-linearity</b>	< ± 0.017%	<b>Insulation Resistance</b>	> 2 [ 50V DC ] GΩ
<b>Repeatability</b>	< ± 0.017%	<b>Nominal Temperature Range</b>	-10°C to 40°C / 14°F to 104°F
<b>Hysteresis Error</b>	< ± 0.017%	<b>Safe Overload</b>	150% of full scale
<b>Creep in 30 min.</b>	< ± 0.023%	<b>Breaking Overload</b>	300% of full scale
<b>Input Resistance</b>	415Ω ± 15	<b>Seal Type / IP Rating</b>	Environmentally Sealed / IP66
<b>Output Resistance</b>	350Ω ± 3	<b>Cable Color Code</b>	Exc+ Red      Exc- Black Sig+ Green    Sig- White    Shield Bare
<b>Element Material</b>	Aluminum		

### PART NUMBER

Rated Capacity	Part No.	Shipping Weight (kg) Approx.
3kg	108TA-3kg	0.4
	108TAUN-3kg	0.4
5kg	108TA-5kg	0.4
	108TAUN-5kg	0.4
7kg	108TA-7kg	0.4
	108TAUN-7kg	0.4
10kg	108TA-10kg	0.4
	108TAUN-10kg	0.4
15kg	108TA-15kg	0.4
	108TAUN-15kg	0.4
20kg	108TA-20kg	0.4
	108TAUN-20kg	0.4
30kg	108TA-30kg	0.4
	108TAUN-30kg	0.4
50kg	108TA-50kg	0.4
	108TAUN-50kg	0.4
75kg	108TA-75kg	0.4
	108TAUN-75kg	0.4
100kg	108TA-100kg	0.4
	108TAUN-100kg	0.4
150kg	108TA-150kg	0.4
	108TAUN-150kg	0.4
200kg	108TA-200kg	0.4
	108TAUN-200kg	0.4

### INTERCHANGEABLE PRODUCTS

Manufacturer	Model
<b>108TA</b>	
Flintec	PC42 (20-150kg)*
Vishay Revere Transducers	642C
<b>108TAUN</b>	
Cardinal	TSP
Coti Global	CG-42
HBM	SP4
Rice Lake	RL1042
Rice Lake	RLSP4
Vishay Revere Transducers	642
Vishay TedeA-Huntleigh	1042

\* Flintec PC4 has a M8 mounting hole



NTEP 1:5 000 Class III, Single Cell



5kg-30kg: OIML MAA C4, Y=15 000;  
50kg-200kg: OIML MAA C5, Y=12 300