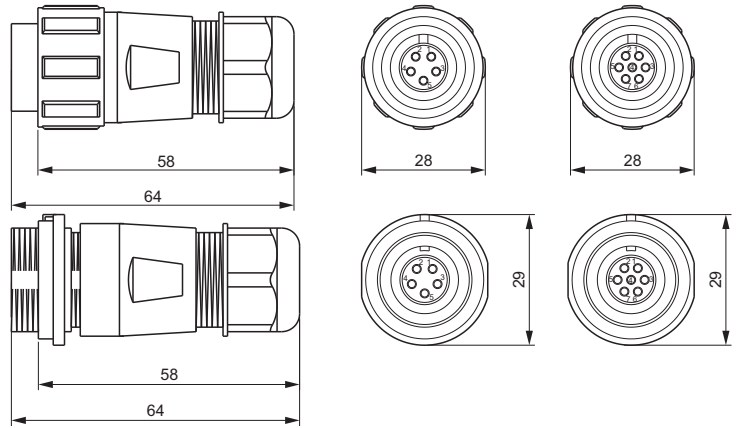


Cable Connector



SPECIFICATIONS					
Part Number	CCP5-S	CCP5-S1	CCP5-L	CCP5-L1	CCP7-L
Rated Current	30A				15A
Contact Diameter	φ3mm×5				φ2mm×7
Contact Resistance	1mΩ				2.5mΩ
Wire Size mm ² / AWG	≤ 4.17/11				≤ 2/14
Termination	Screw	Solder	Screw	Solder	Solder
Cable Outer Diameter	φ4-7mm		φ7-12mm		
Shell Material	Nylon66, fire resistance: V-0				
Insert Material	PPS, max temperature 260°C				
Contact Material	Brass with gold plating				
Rated Voltage	500V				
Test Voltage/min	1500V				
Mating Cycle	> 500				
Insulation Resistance	2000MΩ				
Working Temperature	-25°C to 85°C / -13°F to 185°F				
Protection Class	IP68				

PART NUMBER

Part No.	Contacts	Termination	Shipping Weight (kg) Approx.
CCP5-S	5	screw	0.06
CCP5-S1	5	solder	0.06
CCP5-L	5	screw	0.06
CCP5-L1	5	solder	0.06
CCP7-L	7	solder	0.06