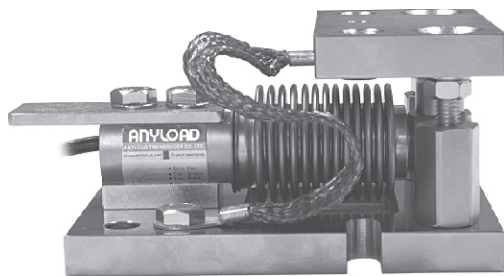


# 563RSM5

## Stainless Steel



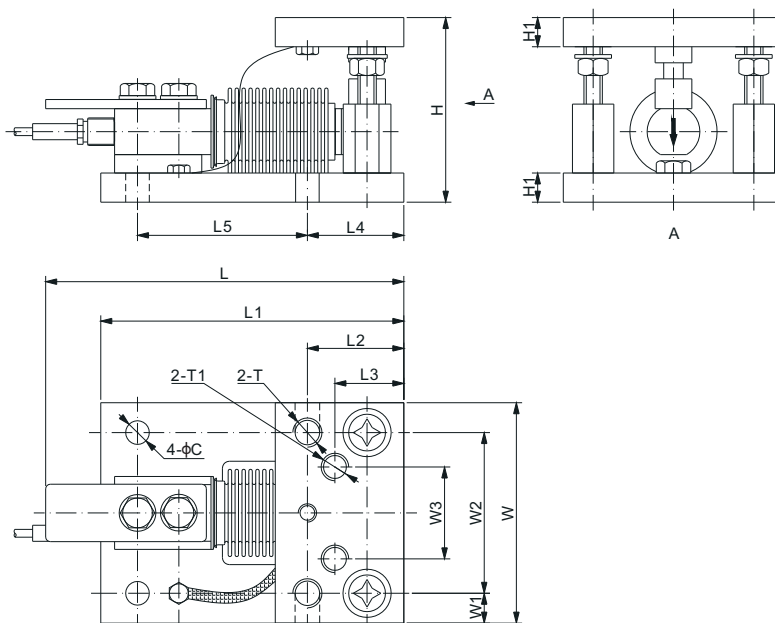
### Features:

- Assembles: 563RS single ended beam load cell
- Material: Stainless steel
- Capacities: 5-200kg
- Self-checking with anti-lifting protection
- Multi-directional overloading isolation for the load cell
- Equipped with lateral stops

Load Cell Certifications:



Load Cell Not Included.



### DIMENSIONS

LOAD CELL CAPACITY	C	H	H1	L	L1	L2	L3	L4	L5	W	W1	W2	W3	T	T1
<b>kg/mm</b>															
5-200	12.9	80.0	12.7	156.0	132.0	42.0	30.0	42.0	76.0	96.0	13.0	70.0	40.0	1/2-20 UNF	M12
<b>lb/inches</b> (conversion of above dimensions)															
11.02-440.92	0.51	3.15	0.50	6.14	5.20	1.65	1.18	1.65	2.99	3.78	0.51	2.76	1.57	1/2-20 UNF	M12

### PART NUMBER

Load Cell Capacity	Part No.	Shipping Weight (kg) Approx.
5kg-200kg.....	563RSM5-(5-200)kg.....	2.04

### INTERCHANGEABLE PRODUCTS

Manufacturer	Model
Rice Lake.....	1700HE

WEIGH MODULES