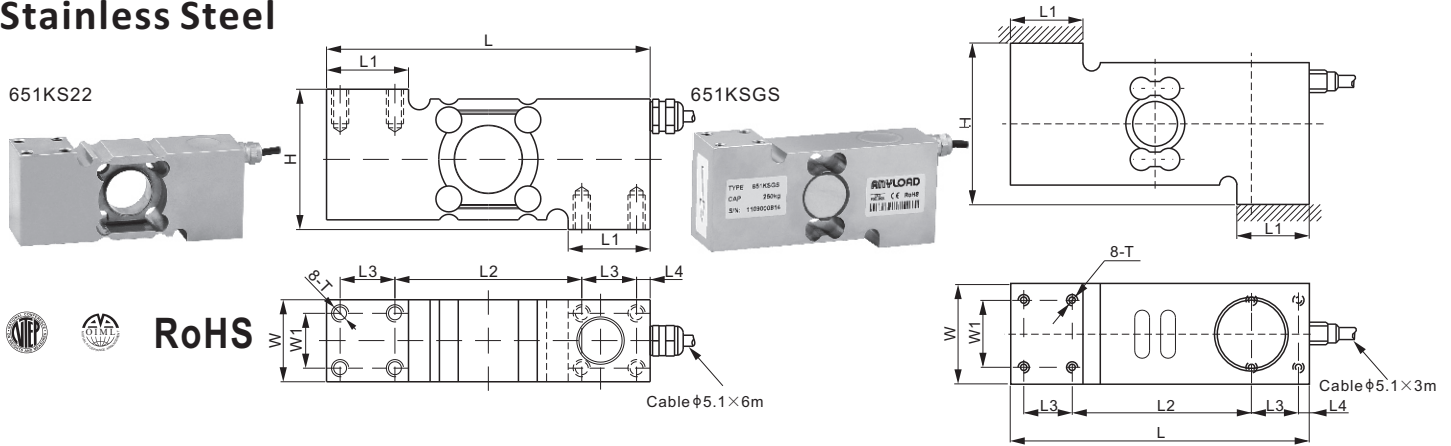


651KS22; 651KSGS



Stainless Steel



RoHS

DIMENSIONS

| RATED CAPACITY | H | L | L1 | L2 | L3 | L4 | W | W1 | T |
|---|------|-------|------|------|------|------|------|------|--------------|
| 651KS22: kg/mm 50-500 | 65.0 | 150.0 | 38.0 | 86.6 | 25.4 | 6.3 | 38.0 | 25.4 | M8 Depth16 |
| lb/inches (conversion of above dimensions) 110.2-1102.3 | 2.56 | 5.91 | 1.50 | 3.41 | 1.00 | 0.25 | 1.50 | 1.00 | M8 Depth0.63 |
| 651KSGS: kg/mm 100-250 | 73.0 | 150.0 | 38.1 | 86.5 | 25.4 | 6.4 | 38.0 | 25.4 | M8 Depth12 |
| lb/inches (conversion of above dimensions) 220.5-551.2 | 2.87 | 5.91 | 1.50 | 3.41 | 1.00 | 0.25 | 1.50 | 1.00 | M8 Depth0.47 |

SPECIFICATIONS

| | | | |
|--------------------------|--|--------------------------------------|---|
| Full Scale Output | 2.0 ± 10% mV/V | Recommended Excitation | 10V (15V Maximum) |
| Zero Balance | ± 0.02 mV/V | Reference Max. Platform Size | 600×600 mm |
| Non-linearity | 651KS22: < ± 0.03%; 651KSGS: < ± 0.05% | Insulation Resistance | >2 [50V DC] GΩ |
| Repeatability | < ± 0.02% | Compensated Temperature Range | -10°C to 50°C / 14°F to 122°F |
| Hysteresis Error | 651KS22: < ± 0.03%; 651KSGS: < ± 0.05% | Safe Overload | 150% of full scale |
| Creep in 30 min. | < ± 0.03% | Breaking Overload | 300% of full scale |
| Input Resistance | 385Ω ± 15 | Seal Type / IP Rating | 651KS22: Welded Seal / IP68/IP69K 651KSGS: Environmentally Sealed / IP66 |
| Output Resistance | 350Ω ± 3 | Cable Color Code | Exc+ Red Exc- Black Sig+ Green Sig- White Shield Bare |
| Element Material | 17-4PH Stainless Steel | | |

PART NUMBER

| Rated Capacity | Part No. | Shipping Weight (kg) Approx. |
|----------------|---------------------|------------------------------|
| 50kg..... | 651KS22-50kg | 2.3 |
| 100kg..... | 651KS22-100kg | 2.3 |
| | 651KSGS-100kg | 2.5 |
| 250kg..... | 651KS22-250kg | 2.3 |
| | 651KSGS-250kg | 2.5 |
| 500kg..... | 651KS22-500kg..... | 2.3 |



651KS22-50kg: NTEP 1:10 000 Class III, Single Cell;
651KS22-100kg, 250kg & 500kg: NTEP 1:5 000 Class III, Single Cell;



651KS22-50kg & 100kg: OIML C9, Y=18 000;
651KS22-250kg & 500kg: OIML C4, Y=26 000

INTERCHANGEABLE PRODUCTS

| 651KS22 Manufacturer | Model |
|------------------------------|-------|
| Mettler-Toledo..... | SSH |
| Vishay Tedeia-Huntleigh..... | 1510* |

* H of Tedeia 1510 is of 73mm.