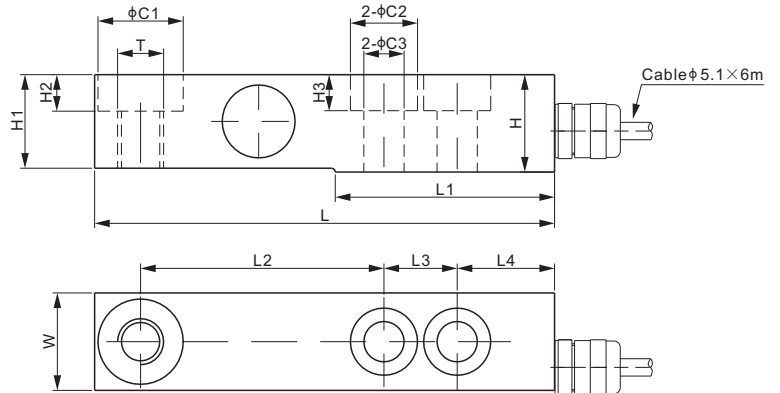
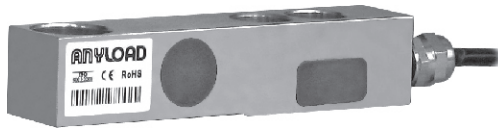


563YSLB



Stainless Steel



SINGLE ENDED BEAMS



DIMENSIONS

RATED CAPACITY	C1	C2	C3	H	H1	H2	H3	L	L1	L2	L3	L4	W	T
lb/inches														
500; 1,000; 2,500	0.88	0.69	0.41	1.00	0.96	0.37	0.37	4.72	2.25	2.50	0.75	1.00	1.00	M12X1.75
kg/mm (conversion of above dimensions)														
226.8; 453.6; 1,134.0	22.2	17.5	10.5	25.4	24.4	9.5	9.4	120.0	57.2	63.5	19.1	25.4	25.4	M12X1.75

SPECIFICATIONS

Full Scale Output	1.85-1.9 mV/V	Recommended Excitation	10V (15V Maximum)
Zero Balance	±0.02 mV/V	Insulation Resistance	>2 [50V DC] GΩ
Non-linearity	<±0.023%	Compensated Temperature Range	-10°C to 50°C / 14°F to 122°F
Repeatability	<±0.023%	Safe Overload	150% of full scale
Hysteresis Error	<±0.023%	Breaking Overload	300% of full scale
Creep in 30 min.	<±0.030%	Seal Type / IP Rating	Environmentally Sealed / IP67
Input Resistance	350Ω ±7	Cable Color Code	Exc+ Red Exc- Black Sig+ Green Sig- White Shield Bare
Output Resistance	350Ω ±3		
Element Material	2Cr13 Stainless Steel		

PART NUMBER

Rated Capacity	Part No.	Shipping Weight (kg) Approx.
500lb.....	563YSLB-500lb-YZ.....	0.7
1Klb.....	563YSLB-1Klb-YZ.....	0.7
2.5Klb.....	563YSLB-2.5Klb-YZ.....	0.7

INTERCHANGEABLE PRODUCTS

Manufacturer	Part No.	Anyload Part No.
Cardinal.....	LFB-500HMT.....	563YSLB-500lb-YZ
	LFB-1000HMT.....	563YSLB-1Klb-YZ
	LFB-2500HMT.....	563YSLB-2.5Klb-YZ
Coti Global.....	CG-HMT	

* Refer to H2 dimension on diagram
 - Cardinal LFB-500HMT, LFB-1000HMT, LFB-2500HMT have a sunken hole depth of 9.53mm
 - ANYLOAD 563YSLB-500lb, 563YSLB-1Klb, 563YSLB-2.5Klb have a sunken hole depth of 14.9mm