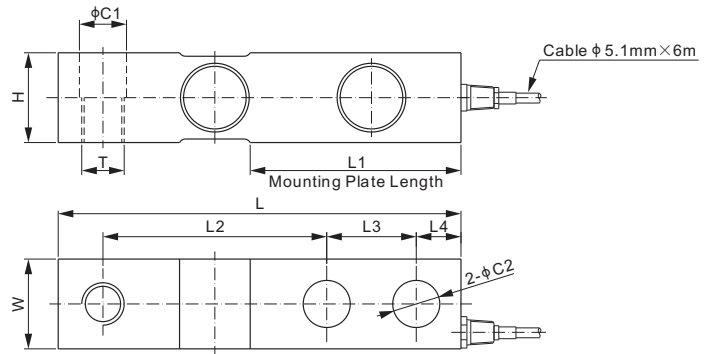
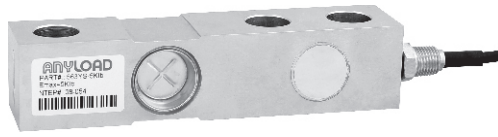


## 563YS; 563YS30

### Stainless Steel



SINGLE ENDED BEAMS



RATED CAPACITY	DIMENSIONS										
	C1	C2	H	L	L1	L2	L3	L4	W	T	
<b>lb/inches</b>											
500-4,000; SE5,000	0.53	0.53	1.22	5.12	2.25	3.00	1.00	0.62	1.22	1/2-20 UNF-2B	
5,000-10,000	0.79	0.79	1.50	6.75	3.00	3.75	1.50	0.75	1.50	3/4-16 UNF-2B	
15,000-20,000	1.03	1.03	2.00	8.75	4.00	4.75	2.00	1.00	2.00	1-14 UNS-2B	
<b>kg/mm</b>											
250-2,000	13.5	13.5	31.0	130.0	57.2	76.2	25.4	15.8	31.0	M12X1.75	
3,000-5,000	20.0	20.0	38.1	171.5	76.2	95.3	38.1	19.1	38.1	M18X1.50	
10,000	26.2	26.2	50.8	222.3	101.6	120.7	50.8	25.4	50.8	M24X2.00	

SPECIFICATIONS		
<b>Full Scale Output</b>	563YS: 2.0 ± 0.25% mV/V 563YS30: 3.0 ± 0.25% mV/V	<b>Recommended Excitation</b> 10V (15V Maximum)
<b>Zero Balance</b>	± 0.02 mV/V	<b>Insulation Resistance</b> >2 [ 50V DC ] GΩ
<b>Non-linearity</b>	< ± 0.023%	<b>Compensated Temperature Range</b> -10°C to 50°C / 14°F to 122°F
<b>Repeatability</b>	< ± 0.023%	<b>Safe Overload</b> 150% of full scale
<b>Hysteresis Error</b>	< ± 0.023%	<b>Breaking Overload</b> 300% of full scale
<b>Creep in 30 min.</b>	< ± 0.030%	<b>Seal Type / IP Rating</b> Welded Seal / IP68
<b>Input Resistance</b>	350 Ω ± 7	<b>Cable Color Code</b>
<b>Output Resistance</b>	350 Ω ± 3	Exc+ Red      Exc- Black Sig+ Green    Sig- White Shield Bare
<b>Element Material</b>	17-4PH Stainless Steel	

PART NUMBER		
Rated Capacity	Part No.	Shipping Weight (kg) Approx.
500lb	563YS-500lb	1.0
	563YS30GS-500lb	1.0
1Klb	563YS-1Klb	1.0
	563YS30-1Klb	1.0
2.5Klb	563YS-2.5Klb	1.0
	563YS30-2.5Klb	1.0
4Klb	563YS-4Klb	1.0
	563YS30-4Klb	1.0
SE5Klb	563YS-SE5Klb	1.0
	563YS30-SE5Klb	1.0
5Klb	563YS-5Klb	1.8
	563YS30-5Klb	1.8
10Klb	563YS-10Klb	1.8
	563YS30-10Klb	1.8
15Klb	563YS-15Klb	4.1
	563YS30-15Klb	4.1
20Klb	563YS-20Klb	4.1
	563YS30-20Klb	4.1
250kg	563YS-250kg	1.0
500kg	563YS-500kg	1.0
1t	563YS-1t	1.0
2t	563YS-2t	1.0
3t	563YS-3t	1.8
5t	563YS-5t	1.8
10t	563YS-10t	4.1

- Environmentally sealed for 563YS30, capacity=500lb  
- SE refers to small envelope

WEIGH MODULE	
Model	Page
563YSM3	132

INTERCHANGEABLE PRODUCTS	
Manufacturer	Model
<b>563YS</b>	
Cardinal	TB
Coti Global	CG-23-SSW-02
Rice Lake	RL35082
Rice Lake	RLHTO
Vishay Sensortronics	65083S
Vishay Tedeo-Huntleigh	3510-kg
<b>563YS30</b>	
Coti Global	CG-23-SSW-03
HBM	B35*
HBM	H35**
Mettler-Toledo	0793
Rice Lake	RL35023S*
Rice Lake	RL35083
Rice Lake	RL39123
Vishay Celtron	SQB-HSS
Vishay Revere Transducers	9123
Vishay Sensortronics	65023S*
Vishay Sensortronics	65023SS***
Vishay Sensortronics	65083
Vishay Tedeo-Huntleigh	3510-lbs

\* Environmentally sealed  
\*\* Welded seal  
\*\*\* Environmentally sealed for capacities 1Klb-10Klb

563YS, 1Klb-10Klb: NTEP 1:5 000 Class III, Multiple Cell  
 563YS, capacity from 3t to 10t & 10K to 20Klb: OIML MAA C6, Y=85 000  
563YS30, capacity from 1Klb to 5Klb: OIML MAA C4, Y=15 000