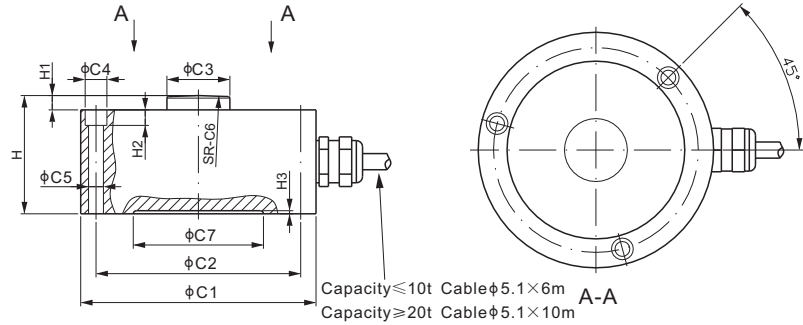


# 276EH



## Alloy Steel, Patent Design



## RoHS

Mounting hardware included.

### DIMENSIONS

RATED CAPACITY	C1	C2	C3	C4	C5	C6	C7	H	H1	H2	H3
<b>t/mm</b>											
5	60.0	52.0	9.5	6.0	3.2	30.0	42.0	24.0	4.0	3.0	0.8
10	63.6	55.0	13.5	7.2	4.2	100.0	44.0	26.0	4.0	5.0	0.8
25	75.9	66.0	20.3	7.0	4.8	150.0	54.0	38.1	4.6	5.0	1.0
50	105.0	90.0	30.0	11.0	6.5	250.0	76.0	53.0	7.0	7.0	1.0
100	123.0	98.0	43.0	15.0	10.5	380.0	74.0	95.0	15.0	12.0	1.0
<b>lb/inches</b> (conversion of above dimensions)											
11,023.1	2.36	2.05	0.37	0.24	0.13	1.18	1.65	0.94	0.16	0.11	0.03
22,046.2	2.50	2.17	0.53	0.28	0.17	3.94	1.73	1.02	0.16	0.20	0.03
55,115.6	2.99	2.60	0.80	0.28	0.19	5.91	2.13	1.50	0.18	0.20	0.04
110,231.1	4.13	3.54	1.18	0.43	0.28	9.84	2.99	2.09	0.28	0.28	0.04
220,462.3	4.84	3.86	1.69	0.59	0.41	14.96	2.92	3.74	0.59	0.47	0.04

### SPECIFICATIONS

<b>Full Scale Output</b>	2.5 ± 10% mV/V	<b>Recommended Excitation</b>	10V (15V Maximum)
<b>Zero Balance</b>	± 0.02 mV/V	<b>Insulation Resistance</b>	>2 [ 50V DC ] GΩ
<b>Non-linearity</b>	Cap. ≤ 50t: <math>\le \pm 0.32\%</math>; Cap. ≥ 100t: <math>\le \pm 1\%</math>	<b>Compensated Temperature Range</b>	-10°C to 50°C / 14°F to 122°F
<b>Repeatability</b>	Cap. ≤ 50t: <math>\le \pm 0.050\%</math>; Cap. ≥ 100t: <math>\le \pm 0.2\%</math>	<b>Safe Overload</b>	150% of full scale
<b>Hysteresis Error</b>	Cap. ≤ 50t: <math>\le \pm 0.32\%</math>; Cap. ≥ 100t: <math>\le \pm 2\%</math>	<b>Breaking Overload</b>	300% of full scale
<b>Creep in 30 min.</b>	Cap. ≤ 50t: <math>\le \pm 0.10\%</math>; Cap. ≥ 100t: <math>\le \pm 0.1\%</math>	<b>Seal Type / IP Rating</b>	Environmentally Sealed / IP67
<b>Input Resistance</b>	400Ω ± 20	<b>Cable Color Code</b>	Exc+ Red      Exc- Black
<b>Output Resistance</b>	350Ω ± 3		Sig+ Green      Sig- White
<b>Element Material</b>	Alloy Steel, Nickel Plated		Shield Bare

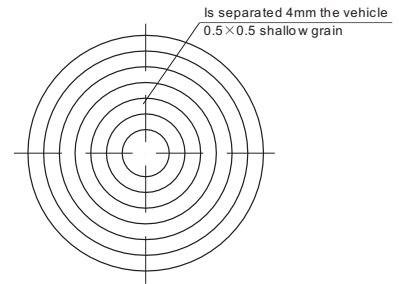
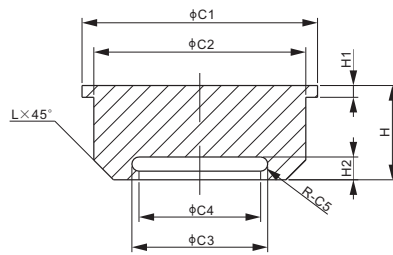
### PART NUMBER

Rated Capacity	Part No.	Shipping Weight (kg) Approx.
5t.....	276EH-5t.....	0.6
10t.....	276EH-10t.....	0.9
25t.....	276EH-25t.....	1.8
50t.....	276EH-50t.....	4.2
100t.....	276EH-100t-LA.....	8.7

### WEIGH MODULE

Model	Page
276EHM1.....	125

## Mounting Hardware For 276EH Load Cell F266-1, Alloy Stell with Zinc Plating



### DIMENSIONS

PART NUMBER	LOAD CELL CAPACITY	C1	C2	C3	C4	C5	H	H1	H2	L
	<b>t/mm</b>									
F266-1A	5	33.0	27.0	12.0	10.0	1.0	13.0	3.0	2.9	3.0
F266-1B	10	41.0	35.0	15.8	13.8	1.0	16.0	3.0	2.9	4.0
F266-1C	25	49.0	43.0	23.3	20.5	1.4	19.0	3.0	3.9	5.0
F266-1E	50	72.0	66.0	34.6	31.0	1.8	36.0	3.0	5.7	5.0
F266-1F	100	80.0	74.0	54.0	44.0	5.0	50.0	3.0	12.4	7.0
	<b>lb/inches</b> (conversion of above dimensions)									
F266-1A	11,023.1	1.30	1.06	0.47	0.39	0.04	0.51	0.12	0.11	0.12
F266-1B	22,046.2	1.61	1.38	0.62	0.54	0.04	0.63	0.12	0.11	0.16
F266-1C	55,115.6	1.93	1.69	0.92	0.81	0.06	0.75	0.12	0.15	0.20
F266-1E	110,231.1	2.83	2.60	1.36	1.22	0.07	1.42	0.12	0.22	0.20
F266-1F	220,462.3	3.15	2.91	2.13	1.73	0.20	1.97	0.12	0.49	0.28