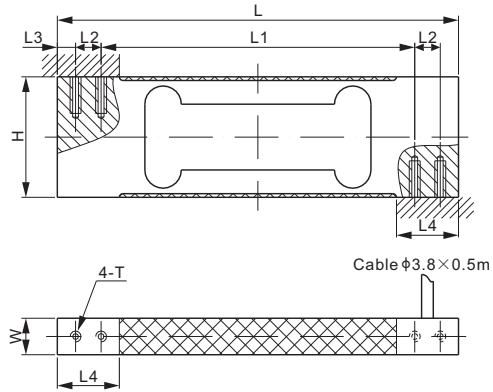
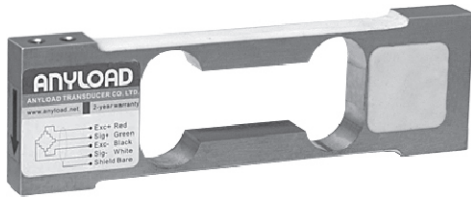


## Aluminum



### DIMENSIONS

RATED CAPACITY	H	L	L1	L2	L3	L4	W	T
<b>kg/mm</b>								
0.2	33.0	110.0	86.0	7.0	5.0	18.0	5.0	M3 Depth12
0.3-0.6	33.0	110.0	86.0	7.0	5.0	18.0	9.0	M3 Depth12
0.75-6	33.0	110.0	86.0	7.0	5.0	18.0	10.0	M3 Depth12
<b>lb/inches</b> (conversion of above dimensions)								
0.44	1.30	4.33	3.39	0.28	0.20	0.71	0.20	M3 Depth0.47
0.66-1.32	1.30	4.33	3.39	0.28	0.20	0.71	0.35	M3 Depth0.47
1.65-13.23	1.30	4.33	3.39	0.28	0.20	0.71	0.39	M3 Depth0.47

### SPECIFICATIONS

<b>Full Scale Output</b>	1.0 ± 20% mV/V	<b>Recommended Excitation</b>	10V (15V Maximum)
<b>Zero Balance</b>	± 0.02 mV/V	<b>Reference Max. Platform Size</b>	Capacity < 1kg: 200 × 200 mm Capacity ≥ 1kg: 230 × 230 mm
<b>Non-linearity</b>	Cap. < 1kg: < ± 0.023%; Cap. ≥ 1kg: < ± 0.017%	<b>Insulation Resistance</b>	> 2 [ 50V DC ] GΩ
<b>Repeatability</b>	Cap. < 1kg: < ± 0.023%; Cap. ≥ 1kg: < ± 0.017%	<b>Nominal Temperature Range</b>	-10°C to 40°C / 14°F to 104°F
<b>Hysteresis Error</b>	Cap. < 1kg: < ± 0.023%; Cap. ≥ 1kg: < ± 0.017%	<b>Safe Overload</b>	150% of full scale
<b>Creep in 30 min.</b>	Cap. < 1kg: < ± 0.050%; Cap. ≥ 1kg: < ± 0.023%	<b>Breaking Overload</b>	300% of full scale
<b>Input Resistance</b>	415 Ω ± 15	<b>Seal Type / IP Rating</b>	Environmentally Sealed / IP66
<b>Output Resistance</b>	350 Ω ± 3	<b>Cable Color Code</b>	Exc+ Red    Exc- Black Sig+ Green    Sig- White    Shield Bare
<b>Element Material</b>	Aluminum		

### PART NUMBER

Rated Capacity	Part No.	Shipping Weight (kg) Approx.
200g	108PA-200g	0.1
300g	108PA-300g	0.1
600g	108PA-600g	0.1
1kg	108PA-1kg	0.1
2kg	108PA-2kg	0.1
3kg	108PA-3kg	0.1
6kg	108PA-6kg	0.1

### INTERCHANGEABLE PRODUCTS

Manufacturer	Model
HBM	SPL
Vishay TedeA-Huntleigh	1004

6kg-500kg: OIML C3