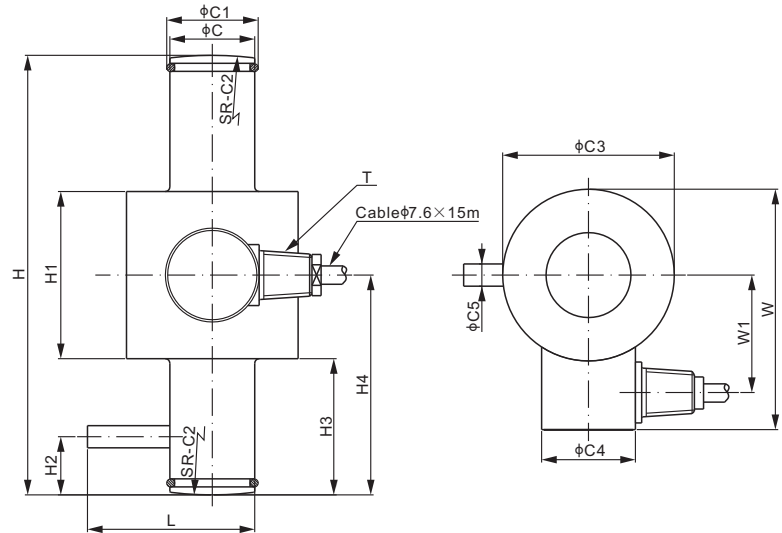


# 106RS-FB



## Stainless Steel



### DIMENSIONS

RATED CAPACITY	C	C1	C2	C3	C4	C5	H	H1	H2	H3	H4	L	W	W1	T
<b>Klb/inches</b>															
LE50	1.46	1.57	5.91	2.95	1.61	0.38	7.56	2.87	1.00	2.34	3.78	2.88	4.13	2.03	1/2-14 NPT
<b>kg/mm</b> (conversion of above dimensions)															
LE22,679.6	37.1	40	150	75.0	41.0	9.7	192	73.0	25.4	59.5	96.0	73.1	105	51.5	1/2-14 NPT

### SPECIFICATIONS

<b>Full Scale Output</b>	1.8 ± 0.1% mV/V	<b>Recommended Excitation</b>	10V (15V Maximum)
<b>Zero Balance</b>	± 0.02 mV/V	<b>Insulation Resistance</b>	> 2 [ 50V DC ] GΩ
<b>Non-linearity</b>	< ± 0.030%	<b>Compensated Temperature Range</b>	-10°C to 50°C / 14°F to 122°F
<b>Repeatability</b>	< ± 0.010%	<b>Safe Overload</b>	150% of full scale
<b>Hysteresis Error</b>	< ± 0.020%	<b>Breaking Overload</b>	300% of full scale
<b>Creep in 30 min.</b>	< ± 0.020%	<b>Seal Type / IP Rating</b>	Welded Seal / IP68
<b>Input Resistance</b>	1080 Ω ± 10	<b>Cable Color Code</b>	Exc+ Red      Exc- Black Sig+ Green    Sig- White Shield Bare
<b>Output Resistance</b>	1000 Ω ± 5		
<b>Element Material</b>	2Cr13 Stainless Steel		

### PART NUMBER

Rated Capacity	Part No.	Shipping Weight (kg) Approx.
LE50Klb	106RS-FB-LE50Klb-YZ	3.5

### INTERCHANGEABLE PRODUCTS

Manufacturer	Model
Coti Global	CG-S1
Fairbanks	LCFHR4020-2, Part# 64166
Flintec	RC1 250KN
Rice Lake	RL75114



NTEP 1:10 000 Class III L, Multiple Cell

OIML MAA C3, Y=16 000