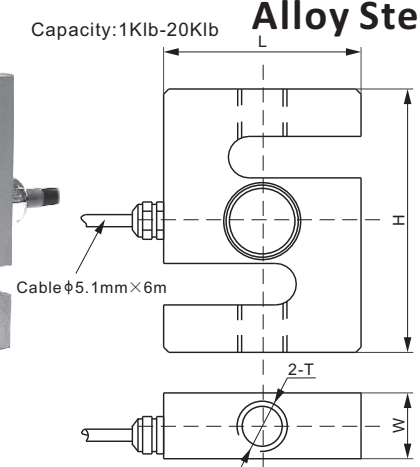
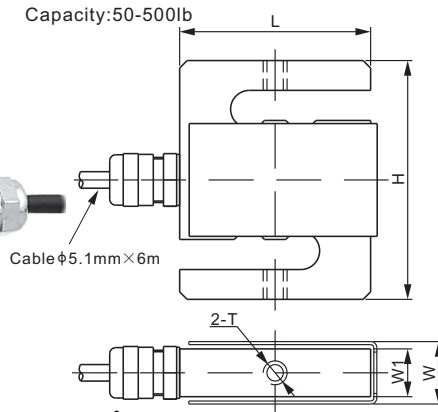


Capacity: 50-500lb

Capacity: 1Klb-20Klb



### DIMENSIONS

RATED CAPACITY	H	L	W	W1	T
<b>lb/inches</b>					
50-250	2.50	2.00	0.65	0.50	1/4-28 UNF-2B
500	3.00	2.00	0.75	0.89	1/2-20 UNF-2B
1,000-3,000	3.00	2.00	1.11	-	1/2-20 UNF-2B
5,000; 10,000	4.00	3.00	1.00	-	3/4-16 UNF-2B
15,000	5.50	4.00	1.25	-	1-14 UNS-2B
20,000	7.00	4.92	2.00	-	1 1/4-12 UNF-2B
<b>kg/mm (conversion of above dimensions)</b>					
22.68-113.4	63.5	50.8	16.6	12.7	1/4-28 UNF-2B
226.8	76.2	50.8	19.1	22.6	1/2-20 UNF-2B
453.6-1,360.8	76.2	50.8	28.2	-	1/2-20 UNF-2B
2,268; 4,535.9	101.6	76.2	25.4	-	3/4-16 UNF-2B
6,803.9	139.7	101.6	31.8	-	1-14 UNS-2B
9,071.8	177.8	125.0	50.8	-	1 1/4-12 UNF-2B

### SPECIFICATIONS

<b>Full Scale Output</b>	3.0 ± 1% mV/V	<b>Recommended Excitation</b>	10V (15V Maximum)
<b>Zero Balance</b>	± 0.02 mV/V	<b>Insulation Resistance</b>	>2 [ 50V DC ] GΩ
<b>Non-linearity</b>	< ± 0.017%	<b>Compensated Temperature Range</b>	-10°C to 50°C / 14°F to 122°F
<b>Repeatability</b>	< ± 0.017%	<b>Safe Overload</b>	150% of full scale
<b>Hysteresis Error</b>	< ± 0.017%	<b>Breaking Overload</b>	300% of full scale
<b>Creep in 30 min.</b>	< ± 0.023%	<b>Seal Type / IP Rating</b>	Environmentally Sealed / IP67
<b>Input Resistance</b>	350Ω ± 7	<b>Cable Color Code</b>	Exc+ Red    Exc- Black Sig+ Green    Sig- White
<b>Output Resistance</b>	350Ω ± 3		Shield Bare
<b>Element Material</b>	Alloy Steel, Nickel Plated		

Rated Capacity	Part Number	Shipping Weight (kg) Approx.	INTERCHANGEABLE PRODUCTS						
			Coti-Global		Rice Lake		Vishay Celtron	Vishay Revere	Vishay Sensortronics
50lb	101NH-50lb	0.6	CGSB-50lb		RL20000-50lb		STC-50lb	363-50lb	60001-50lb
100lb	101NH-100lb	0.6	CGSB-100lb		RL20000-100lb		STC-100lb	363-100lb	60001-100lb
200lb	101NH-200lb	0.6	CGSB-200lb		RL20000-200lb		STC-200lb	363-200lb	60001-200lb
250lb	101NH-250lb	0.6		CGSB-1-250lb	RL20000-250lb			363-250lb	
500lb (H:3.0")	101NH-500lb	0.7	CGSB-500lb	CGSB-1-500lb (H:2.5")	RL20000-500lb (H:2.5")	RL20001-500lb	STC-500lb	363-500lb (H:2.5")	60001-500lb
1Klb (H:3.0")	101NH-1Klb	1.0	CGSB-1K	CGSB-1-1K	RL20000-1Klb (H:2.5")	RL20001-1Klb	STC-1K	363-1K (H:2.5")	60001-1K
1.5Klb (H:3.0")	101NH-1.5Klb	1.0	CGSB-1.5K	CGSB-1-1.5K	RL20000-1.5Klb (H:2.5")	RL20001-1.5Klb	STC-1.5K	363-1.5K (H:2.5")	60001-1.5K
2Klb (H:3.0")	101NH-2Klb	1.0	CGSB-2K	CGSB-1-2K	RL20000-2Klb (H:2.5")	RL20001-2Klb	STC-2K	363-2K (H:2.5")	60001-2K
2.5Klb (H:3.0")	101NH-2.5Klb	1.0	CGSB-2.5K	CGSB-1-2.5K	RL20000-2.5Klb (H:2.5")	RL20001-2.5Klb	STC-2.5K	363-2.5K (H:2.5")	60001-2.5K
3Klb (H:3.0")	101NH-3Klb	1.0	CGSB-3K	CGSB-1-3K (H:4.0")	RL20000-3Klb (H:4.0")	RL20001-3Klb	STC-3K	363-3K (H:4.0")	60001-3K
5Klb (H:4.0")	101NH-5Klb	1.5	CGSB-5K (H:4.25")	CGSB-1-5K	RL20000-5Klb	RL20001-5Klb (H:4.25")	STC-5K (H:4.25")	363-5K (H:4.0")	60001-5K (H:4.25")
10Klb (H:4.0")	101NH-10Klb	1.5	CGSB-10K (H:4.75")	CGSB-1-10K	RL20000-10Klb	RL20001-10Klb (H:4.75")	STC-10K (H:4.75")	363-10K (H:4.0")	60001-10K (H:4.75")
15Klb	101NH-15Klb	3.0	CGSB-15K						60001-15K
20Klb	101NH-20Klb	6.8	CGSB-20K		RL20000-20Klb		STC-20K		60001-20K

100lb-3Klb: NTEP 1:3 000 Class III, Single Cell; 5Klb-20Klb: NTEP 1:4 500 Class III, Single Cell

200kg-1.5t: OIML MAA C3, Y=17 000; 2t-10t: OIML MAA C4.5, Y=14 000

www.anyload.com

© 2016 ANYLOAD V1 dimensions and specifications subject to change without notice