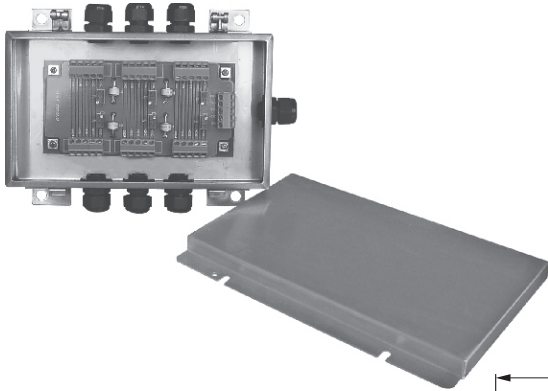


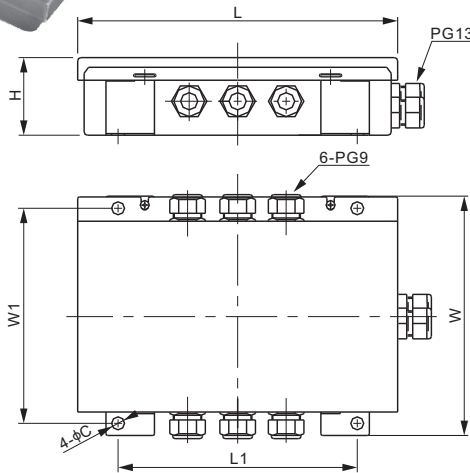
## J06ES; J06SS

### Stainless Steel



#### Features:

- Enclosure Material: Stainless steel SS304
- Number of cell connections: 2 - 6 single cells
- Trimming: Individual cell with excitation or signal trim
- Equipped with independent adjustable resistors
- Patented never lost and integrated screw design
- Stainless steel screws
- IP Rating: IP65



#### DIMENSIONS

	C	H	L	L1	W	W1
mm	8	44	200	147	149	135
inches	0.3	1.7	7.9	5.8	5.9	5.3

#### SPECIFICATIONS

<b>Number of Cells</b>	2 - 6 single cells	<b>Trimming</b>	Individual cell with excitation or signal trim
<b>Input Cable Fittings</b>	PG9: 4mm - 8mm diameter cable	<b>Enclosure Material</b>	Stainless steel SS304
<b>Output Cable Fittings</b>	PG13: 6mm - 12mm diameter cable	<b>IP Rating</b>	IP65

#### PART NUMBER

Trimming	Lightning Protection	Part No.	Shipping Weight (kg) Approx.
Excitation.....No.....	No.....	J06ES.....	0.9
Signal.....No.....	No.....	J06SS.....	0.9
Excitation.....Yes.....	Yes.....	J06ES-II.....	0.9
Signal.....Yes.....	Yes.....	J06SS-II.....	0.9

#### MOTHERBOARD LAYOUT

