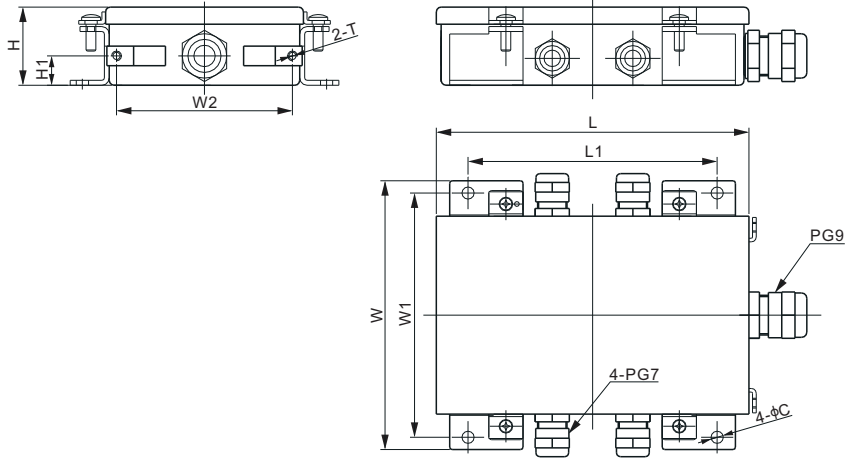




### Features:

- Enclosure Material: Stainless steel casting
- Number of cells: 2 - 4 single cells
- Trimming: Individual cell with excitation or signal trim
- Equipped with independent adjustable resistors
- Stainless steel screws
- IP Rating: IP65



### DIMENSIONS

	C	H	H1	L	L1	W	W1	W2	T
mm	5.0	32.0	12.0	128	102	110	100	72	M4
inches	0.2	1.3	0.5	5.0	4.0	4.3	3.9	2.8	M4

### SPECIFICATIONS

<b>Number of Cells</b>	2 - 4 single cells	<b>Trimming</b>	Individual cell with excitation or signal trim
<b>Input Cable Fittings</b>	PG7: 3mm - 6.5mm diameter cable	<b>Enclosure Material</b>	Stainless steel casting
<b>Output Cable Fittings</b>	PG9: 4mm - 8mm diameter cable	<b>IP Rating</b>	IP65

### PART NUMBER

Trimming	Part No.	Shipping Weight (kg) Approx.
Excitation Trim.....	J04ES-FS.....	0.5

### MOTHERBOARD LAYOUT

