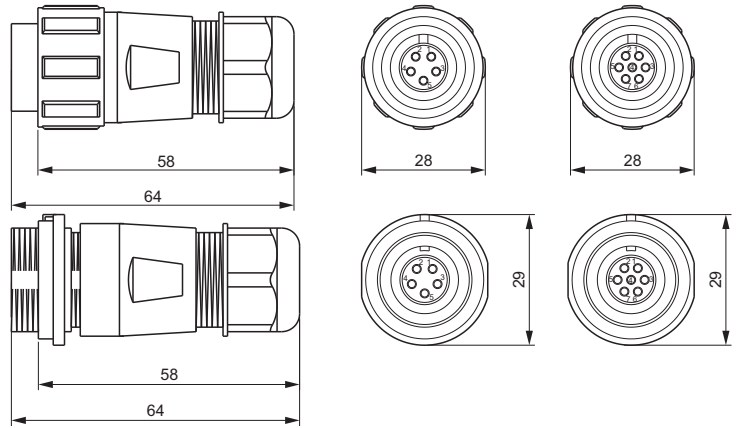


Cable Connector



SPECIFICATIONS			
Part Number	CCP5-S	CCP5-L	CCP7-L
Rated Current	30A		15A
Contact Diameter	φ3mm×5		φ2mm×7
Termination	Solder / Screw		Solder
Shell Material	Nylon66, fire resistance: V-0		
Insert Material	PPS, max temperature 260°C		
Contact Material	Brass with gold plating		
Rated Voltage	500V		
Test Voltage/min	1500V		
Contact Resistance	1mΩ		2.5mΩ
Wire Size mm ² / AWG	≤ 4.17/11		≤ 2/14
Cable Outer Diameter	φ4-7mm	φ7-12mm	
Mating Cycle	> 500		
Insulation Resistance	2000MΩ		
Working Temperature	-25°C to 85°C / -13°F to 185°F		
Protection Class	IP68		

PART NUMBER

Part No.	Contacts	Termination	Shipping Weight (kg) Approx.
CCP5-S.....	5.....	screw.....	0.06
CCP5-L.....	5.....	screw.....	0.06
CCP5-L1.....	5.....	solder.....	0.06
CCP7-L.....	7.....	solder.....	0.06