

OCSB Series

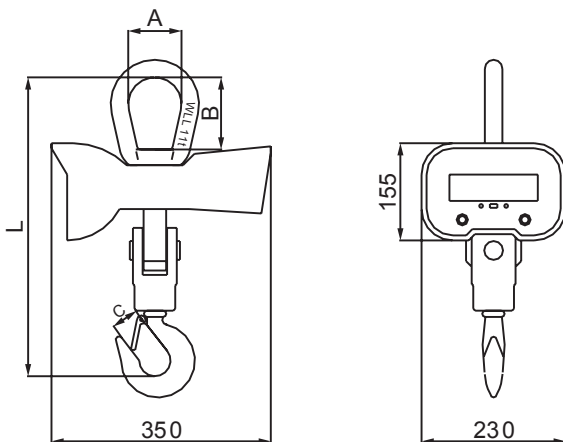
FEATURES

- Fast resolution switching
- 38mm 5 digits LED display for OCSB3
- 30mm 5 digits LCD display for OCSB4
- Rotatable hook
- Idle mode to maximize the battery life
- HOLD function
- Tare In / Tare Out
- Unit switch: kg / lb
- Auto overload alarm at 100%F.S. +9e
- Auto power-off function



OPTION

- Wireless Scoreboard



Model	OCSB3	OCSB4
Type	General	General
Accuracy Class	OIML III	OIML III
Enclosure	Die-casting Aluminum	Die-casting Aluminum
Display	38mm LED	30mm LCD w/Backlight
Capacity Available	2 / 4 / 6 / 10 Klb	2 / 4 / 6 / 10 Klb
Battery Life	100 Hours	100 Hours
High Quality Load Receptor	Alloy Steel	Alloy Steel
Shackle	H.D. Fixed	H.D. Fixed
Hook	H.D. Rotatable	H.D. Rotatable
High Capacity Rechargeable Battery	Yes 6V/10Ah	Yes 6V/10Ah
Infrared Remote Control	Yes	Yes

Rated Capacity	Division	A	B	C	L	N.W.	G.W.
1t / 2Klb	0.5kg / 1 lb	70mm / 2.76"	100mm / 3.94"	35mm / 1.38"	395mm / 15.55"	12kg / 26.5 lb	13kg / 29.1 lb
2t / 4Klb	1kg / 2 lb	70mm / 2.76"	100mm / 3.94"	35mm / 1.38"	395mm / 15.55"	12kg / 26.5 lb	13kg / 29.1 lb
3t / 6Klb	1kg / 2 lb	70mm / 2.76"	100mm / 3.94"	35mm / 1.38"	395mm / 15.55"	12kg / 26.5 lb	13kg / 29.1 lb
5t / 10Klb	2kg / 5 lb	85mm / 3.35"	115mm / 4.53"	40mm / 1.57"	490mm / 19.29"	17kg / 37.5 lb	19kg / 40.8 lb

*Dimensions and specifications are subject to change without notice.