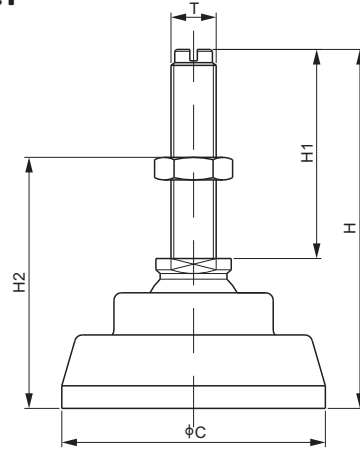


AMFSS-F

Active Mounting Foot, 2Cr13 Stainless Steel



DIMENSIONS

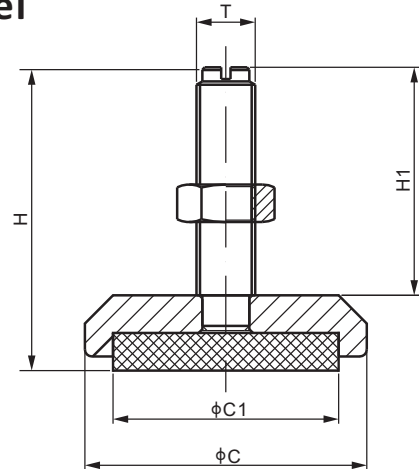
PART NUMBER	RATED CAPACITY	C	H	H1	H2	T
	lb/inches					
AMFSS-F-1/2	100-4,000; SE5,000	2.76	3.75	2.19	1.80-3.58	1/2-20 UNF-2B
AMFSS-F-3/4	5,000-10,000	3.15	4.07	2.19	2.24-3.90	3/4-16 UNF-2B
AMFSS-F-1	15,000; 20,000	3.94	5.65	2.95	3.21-5.45	1-14 UNS-2B
	kg/mm					
AMFSS-F-M12	100-2,000	70	95.3	55.5	45.8-91	M12X1.75
AMFSS-F-M18	2,500; 5,000	80	103.5	55.5	57-99	M18X1.50
AMFSS-F-M24	10,000	100	143.5	75.0	81.5-138.5	M24X2.00

AVAILABLE OPTIONS

- Alloy Steel: AMF-F-xx
- 17-4PH and 304 Stainless Steel: AMFS4-F-xx

FMFSS

Fixed Mounting Foot, 2Cr13 Stainless Steel



DIMENSIONS

PART NUMBER	RATED CAPACITY	C	C1	H	H1	T
	lb/mm					
FMFSS60-1/2	500-SE5,000	60	48	64.5	48.5	1/2-20 UNF
FMFSS70-3/4	5,000-10,000	70	58	76.0	58.0	3/4-16 UNF
	kg/mm					
FMFSS60-M12	100-2,000	60	48	64.5	48.5	M12X1.75
FMFSS70-M18	2,500-5,000	70	58	76.0	58.0	M18X1.50

AVAILABLE OPTIONS

- Alloy Steel: FMFxx-xx
- 17-4PH and 304 Stainless Steel: FMFS4xx-xx