

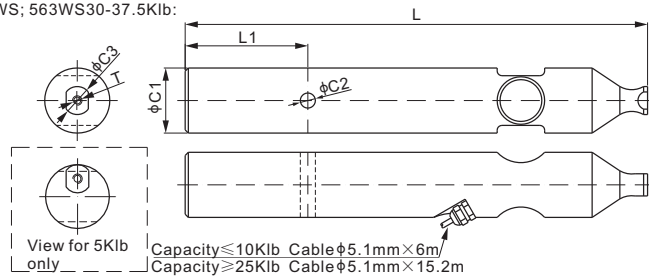
563WS; 563WS30



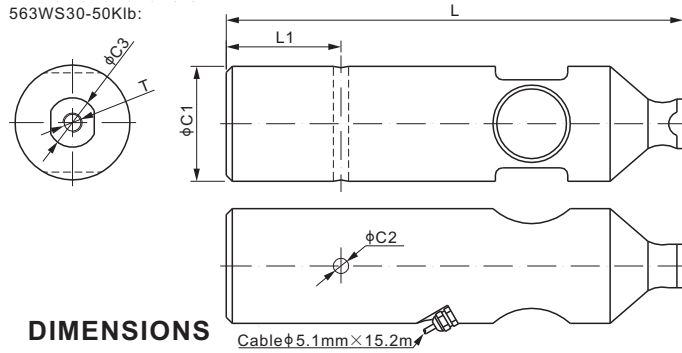
Stainless Steel



563WS; 563WS30-37.5Klb:



563WS30-50Klb:



DIMENSIONS

RATED CAPACITY	C1	C2	C3	L	L1	T
563WS:						
lb/inches						
1,250	1.25	0.31	0.63	11.50	3.00	#8-32
2,500	1.62	0.37	0.70	11.50	3.00	#6-32
5,000	2.00	0.37	0.88	10.88	3.05	#8-32
10,000	2.50	0.37	0.88	12.63	3.05	#8-32
25,000	3.50	0.50	1.75	14.88	3.05	5/16-18 UNC-2B
kg/mm (conversion of above dimensions)						
567	31.8	7.9	16.0	292.1	76.2	#8-32
1,134	41.1	9.4	17.8	292.1	76.2	#6-32
2,268	50.8	9.4	22.4	276.4	77.5	#8-32
4,535.9	63.5	9.4	22.4	320.8	77.5	#8-32
11,339.8	88.9	12.7	44.5	378.0	77.5	5/16-18 UNC-2B
563WS30:						
lb/inches						
37,500	3.50	0.50	1.75	14.88	3.05	5/16-18 UNC-2B
50,000	3.74	0.50	1.61	14.88	3.74	5/8-16 UNC-2B
kg/mm (conversion of above dimensions)						
17,009.7	88.9	12.7	44.5	378.0	77.5	5/16-18 UNC-2B
22,679.6	95.0	12.7	40.9	378.0	95.0	5/8-16 UNC-2B

SPECIFICATIONS

Full Scale Output	563WS: $2.0 \pm 1\%$ mV/V	Recommended Excitation	10V (15V Maximum)
	563WS30: $3.0 \pm 1\%$ mV/V		Insulation Resistance
Zero Balance	± 0.02 mV/V	Compensated Temperature Range	-10°C to 50°C / 14°F to 122°F
Non-linearity	$< \pm 0.023\%$	Safe Overload	150% of full scale
Repeatability	$< \pm 0.023\%$	Breaking Overload	300% of full scale
Hysteresis Error	$< \pm 0.023\%$	Seal Type / IP Rating	Environmentally Sealed / IP67
Creep in 30 min.	$< \pm 0.030\%$	Cable Color Code	Exc+ Red Exc- Black
Input Resistance	$350 \Omega \pm 7$		Sig+ Green Sig- White
Output Resistance	$350 \Omega \pm 3$		Shield Bare
Element Material	2Cr13 Stainless Steel		

Rated Capacity	Part Number	Shipping Weight (kg) Approx.	INTERCHANGEABLE PRODUCTS			
			Avery Weigh-Tronix	Coti-Global	Rice Lake	Rice Lake
1.25Klb	563WS-1.25Klb-YZ	2.2	Weigh Bar	CG-WB-SS-1.25Klb	RL75000 SS-1.25Klb	RL32011WB-L-1.25Klb
2.5Klb	563WS-2.5Klb-YZ	3.0	Weigh Bar	CG-WB-SS-2.5Klb	RL75000 SS-2.5Klb	RL32011WB-L-2.5Klb
5Klb	563WS-5Klb-YZ	6.0	Weigh Bar	CG-WB-SS-5Klb	RL75000 SS-5Klb	RL32011WB-L-5Klb
10Klb	563WS-10Klb-YZ	7.0	Weigh Bar	CG-WB-SS-10Klb		RL32011WB-L-10Klb
25Klb	563WS-25Klb-YZ	15.5	Weigh Bar	CG-WB-SS-25Klb		
37.5Klb	563WS30-37.5Klb-YZ-CG	18.5	Weigh Bar	CG-WB-SS-37.5Klb		
37.5Klb	563WS30-37.5Klb-YZ	18.5	Weigh Bar			
50Klb	563WS30-50Klb-YZ	21.0	Weigh Bar	CG-WB-SS-50Klb-50104		

