

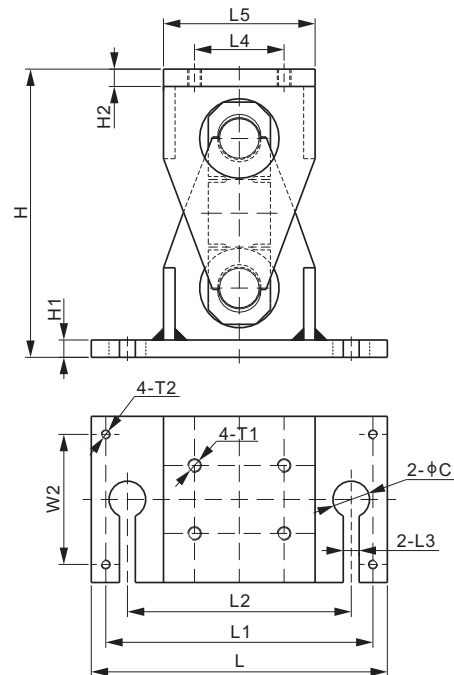
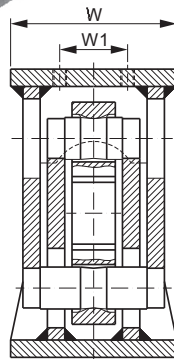
Features:

- Assembles: 110BH tension link load cell
- Material: Alloy steel
- Capacities: 1t-75t
- Allows for free swaying movements and high accuracy load reading
- Easy load cell replacement

Load Cell Certifications:



Load Cell Not Included.



DIMENSIONS

LOAD CELL CAPACITY	C1	H	H1	H2	L	L1	L2	L3	L4	L5	W	W1	W2	T1	T2
t/mm															
1	28	110	10.0	10.0	170	154	122	16	50	82	86	30	62	3/8 UNC	1/4 UNC
2	28	148	12.7	12.7	190	174	142	15	54	95	95	29	78	3/8 UNC	1/4 UNC
5	30	182	12.7	12.7	210	197	168	16	68	116	116	38	96	3/8 UNC	1/4 UNC
10	40	233	15.0	15.0	280	255	210	22	84	140	140	49	115	1/2 UNC	1/4 UNC
20	51	318	20.0	20.0	368	330	270	22	102	184	204	78	161	3/4 UNC	1/2 UNC
30	51	386	24.0	24.0	410	370	310	22	124	210	230	94	180	3/4 UNC	1/2 UNC
50	51	476	28.0	28.0	454	414	354	22	145	254	280	103	229	1 UNC	1/2 UNC
75	51	576	30.0	30.0	508	468	400	30	184	292	292	122	242	1 UNC	1/2 UNC
lb/inches (conversion of above dimensions)															
2,202.6	1.10	4.33	0.39	0.39	6.69	6.06	4.80	0.63	1.97	3.23	3.39	1.18	2.44	3/8 UNC	1/4 UNC
4,405.3	1.10	5.83	0.50	0.50	7.48	6.85	5.59	0.59	2.13	3.74	3.74	1.14	3.07	3/8 UNC	1/4 UNC
11,013.2	1.18	7.13	0.50	0.50	8.27	7.76	6.61	0.63	2.68	4.57	4.57	1.50	3.78	3/8 UNC	1/4 UNC
22,026.4	1.57	9.17	0.59	0.59	11.02	10.04	8.27	0.87	3.31	5.51	5.51	1.93	4.53	1/2 UNC	1/4 UNC
44,052.8	2.01	12.52	0.79	0.79	14.49	12.99	10.63	0.87	3.07	7.24	8.03	3.07	6.34	3/4 UNC	1/2 UNC
66,079.3	2.01	15.20	0.94	0.94	16.14	14.57	12.20	0.87	4.88	8.27	9.06	3.70	7.09	3/4 UNC	1/2 UNC
110,132.2	2.01	18.74	1.10	1.10	17.87	16.30	13.94	0.87	5.71	10.0	11.02	4.06	9.02	1 UNC	1/2 UNC
165,198.2	2.01	22.68	1.18	1.18	20.00	18.43	15.75	1.18	7.24	11.5	11.50	4.80	9.53	1 UNC	1/2 UNC

PART NUMBER

Load Cell Capacity	Part No.	Shipping Weight (kg) Approx.
1t.....	110BHM2-1t.....	3.0
2t.....	110BHM2-2t.....	5.8
5t.....	110BHM2-5t.....	8.8
10t.....	110BHM2-10t.....	16.0
20t.....	110BHM2-20t.....	42.5
30t.....	110BHM2-30t.....	65.0
50t.....	110BHM2-50t.....	111.0
75t.....	110BHM2-75t.....	137.0