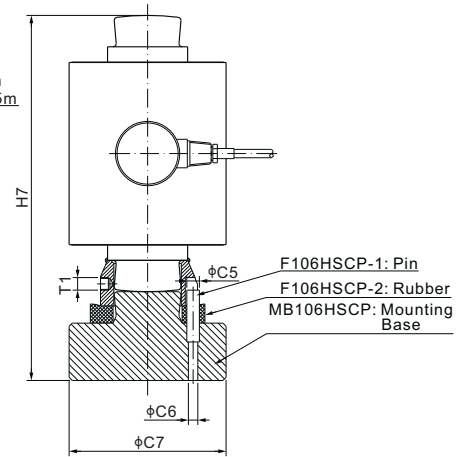
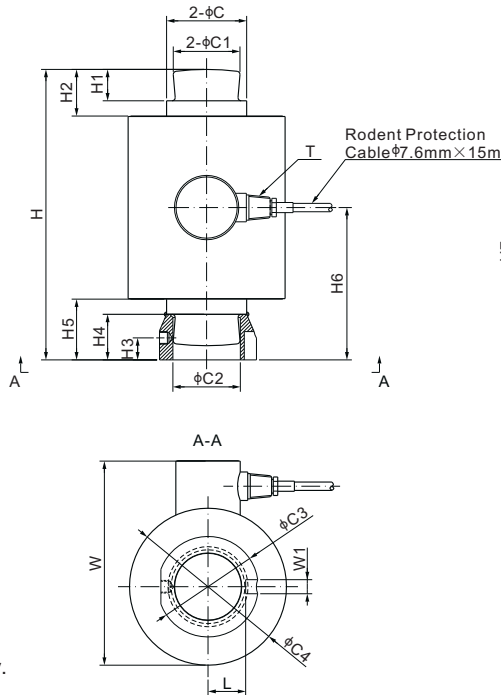


# 106HSCP

## Stainless Steel



Mounting hardware to be ordered separately.

- Material of MB106HSCP is 17-4PH;
- Material of F106HSCP-1 is stainless steel;
- Material of F106HSCP-2 is rubber

### DIMENSIONS

RATED CAPACITY	C	C1	C2	C3	C4	C5	C6	C7	H	H1	H2	H3	H4	H5	H6	H7	L	W	W1	T	T1	
t/mm	35	51	42.5	43	64	100	8	6	100	185	20	29.7	14	29	38.7	97	232.5	24	130	9	1/2-14 NPT	M8 Depth5
Klb/inches (conversion of above dimensions)	77.16	2.01	1.67	1.69	2.52	3.94	0.31	0.24	3.94	7.28	0.79	1.17	0.55	1.14	1.52	3.82	9.15	0.94	5.12	0.35	1/2-14 NPT	M8 Depth0.2

### SPECIFICATIONS

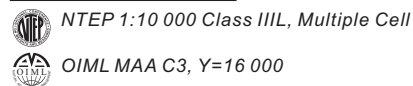
Full Scale Output	2.0 ± 0.25% mV/V	Recommended Excitation	10V (15V Maximum)
Zero Balance	± 0.02 mV/V	Insulation Resistance	>2 [ 50V DC ] GΩ
Non-linearity	< ± 0.03%	Compensated Temperature Range	-10°C to 50°C / 14°F to 122°F
Repeatability	< ± 0.02%	Safe Overload	150% of full scale
Hysteresis Error	< ± 0.02%	Breaking Overload	300% of full scale
Creep in 30 min.	< ± 0.02%	Seal Type / IP Rating	Welded Seal / IP68
Input Resistance	700Ω ± 20	Cable Color Code	Exc+ Red      Exc- Black
Output Resistance	705Ω ± 5		Sig+ Green    Sig- White
Element Material	17-4PH Stainless Steel		Shield Bare

### PART NUMBER

Load Cell	Part No.	Shipping Weight (kg) Approx.
Rated Capacity		
35t.....	106HSCP-35t.....	6.9
Mounting Hardware	Part No.	Shipping Weight (kg)
Mounting Base.....	MB106HSCP-35t.....	2.4
Pin.....	F106HSCP-1-35t.....	0.012
Rubber.....	F106HSCP-2-35t.....	0.002

### INTERCHANGEABLE PRODUCTS

Manufacturer	Model
Bilancia.....	CCP



CANISTERS & DISKS