

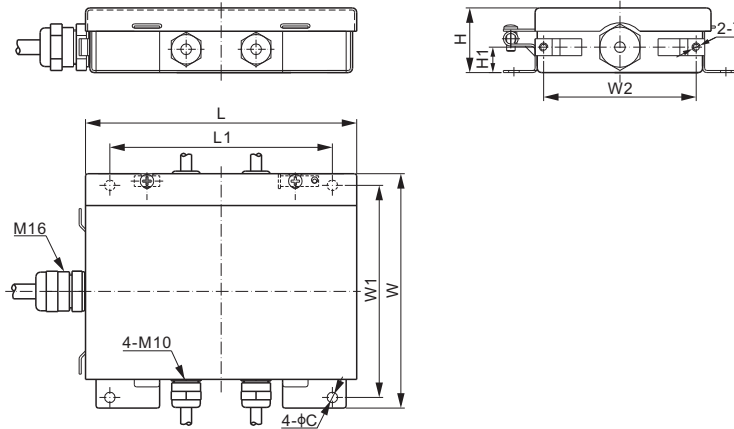
## J04ES-FS; J04SS-FS

### Stainless Steel



#### Features:

- Enclosure Material: Stainless steel casting
- Number of cells: 2 - 4 single cells
- Trimming: Individual cell with excitation or signal trim
- Equipped with independent potentiometers
- Captive stainless steel screws
- IP Rating: IP65



#### DIMENSIONS

|        | C   | H    | H1   | L   | L1  | W     | W1  | W2  | T  |
|--------|-----|------|------|-----|-----|-------|-----|-----|----|
| mm     | 5.0 | 31.0 | 12.0 | 128 | 105 | 110.5 | 100 | 72  | M4 |
| inches | 0.2 | 1.2  | 0.5  | 5.0 | 4.1 | 4.4   | 3.9 | 2.8 | M4 |

#### SPECIFICATIONS

|                              |                                 |                           |  |
|------------------------------|---------------------------------|---------------------------|--|
| <b>Number of Cells</b>       | 2 - 4 single cells              | <b>Trimming</b>           | Individual cell with excitation or signal trim |
| <b>Input Cable Fittings</b>  | M10: 3mm - 6.2mm diameter cable | <b>Enclosure Material</b> | Stainless steel casting                        |
| <b>Output Cable Fittings</b> | M16: 4mm - 8mm diameter cable   | <b>IP Rating</b>          | IP65   |

#### TRIMMING RANGE

| Load Cell Resistance | Signal Trim    | Excitation Trim |
|----------------------|----------------|-----------------|
| 350Ω                 | 3.6% of output | 2.3% of output  |
| 700Ω                 | 6.3% of output | 1.3% of output  |
| 1000Ω                | 7.0% of output | 1.0% of output  |

#### PART NUMBER\*

| Trimming        | Part No. | Weight (kg) Approx. |
|-----------------|----------|---------------------|
| Excitation Trim | J04ES-FS | 0.5                 |
| Signal Trim     | J04SS-FS | 0.5                 |

\* ATEX, FM, IECEx approved versions carry the "-Ex" suffix.

#### MOTHERBOARD LAYOUT

